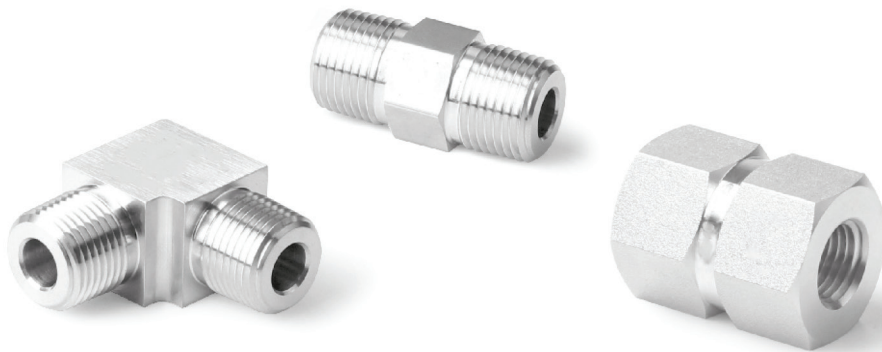




IDEAL PIPE FITTINGS



IDEAL
VALVES AND FITTINGS COMPANY

IDEAL

VALVES AND FITTINGS COMPANY

IDEAL Valves & Fittings Co., is the designer and manufacturer of stainless steel (SS) Valve Manifolds, Needle valves, Tube Fittings, Pipe Fittings, Ball Valves, Isolation Valves and Special Accessories used in Instrumentation, Hydraulics, Pneumatics with great care to meet the specifications required for a wide range of applications in Oil & Gas Industries, Chemical and Petrochemicals, Power generation, Agrochemicals, Pharmaceuticals & Vacuum Applications. Ideal Valves and Fitting co. based in Mumbai, Maharashtra, the financial capital of India.



MISSION

The mission of **Ideal Valves & Fittings Co.**, having commitment to deliver products and services to customers to meet their requirements and expectation by providing quality products and very timely service. We are focussing on long term commitment to the industry and our customers, which is achievable through collective Experience, Quality, Reliability and Improvement.

VISION

Ideal Valves & Fittings Co., has a vision based on its commitment of continuous improvement and product innovation to meet industry requirements through customer feedback. The Company committed to provide the best possible solution to customer by quality products and services.

We offer a wide range of service to our clients. Procurement of raw materials from qualified and approved vendors and with complete traceability and test certificates. **Ideal Valves and Fitting Co.**, is the one – stop for all your valves & fittings needs; our marketing and manufacturing experience will help our customer to achieve the accurate and anticipated solution swiftly.

IDEAL products are undergone stringent quality control test under qualified personals using inhouse laboratory facilities. All valves tested according to ANSI-B16.5 by using test medium the air, hydrogen and helium.

IDEAL PIPE FITTINGS



FEATURES OF IDEAL PIPE FITTINGS

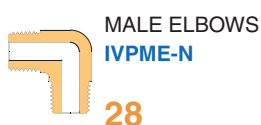
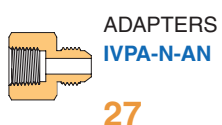
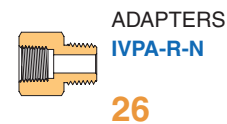
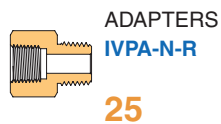
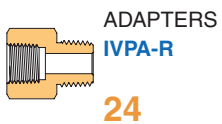
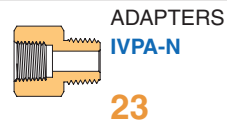
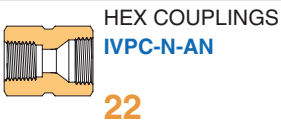
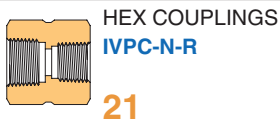
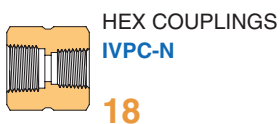
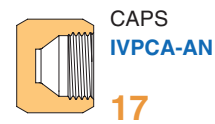
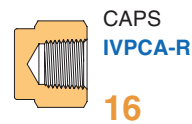
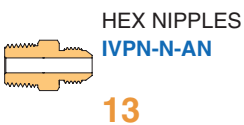
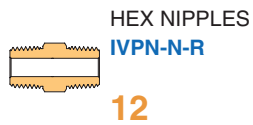
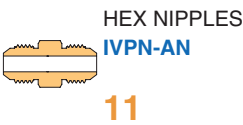
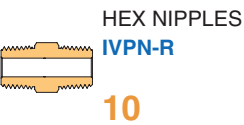
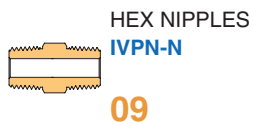
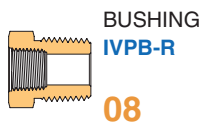
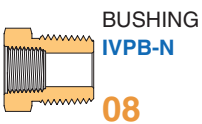
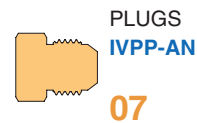
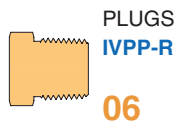
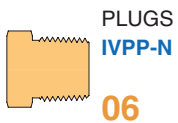
- Fittings manufactured from High Tensile SS 316* as standard material
- Highly smooth surface finished and hardened threads prevent from galling
- Long fitting service life
- Smooth flow path design
- Suitable for High Temperature and Pressure application
- Fittings connections are available in different thread configuration
- Easy traceability

| Type of Fitting Connection* | Thread Type | Ref. Standard | Thread Designator |
|-----------------------------|-------------|-------------------------------------|-------------------|
| NPT | NPT | ASME B 1.20.1, SAE AS71051 | N |
| ISO/BSPT | ISO/BSPT | ISO 7-1, BSEN 10226-1, JIS B0203 | R |
| JIC (37° Flare) | SAE/MS | ASME B1.1 | AN |

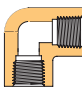
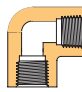
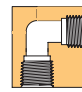
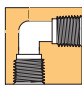
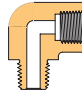
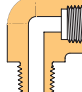
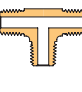
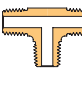
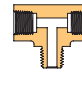
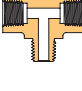
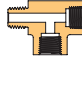
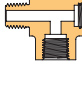
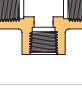
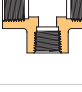


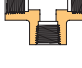

▲ WARNING

- A thread sealant shall always be used when assembling tapered thread fittings.
- Do not try to loosen or tighten the fittings when the system is under pressure.

IDEAL PIPE FITTINGS INDEX





| | | |
|---|--|---|
|  <p>FEMALE ELBOWS IVPFE-N 29</p> |  <p>FEMALE ELBOWS IVPFE-R 29</p> |  <p>FEMALE BLOCK ELBOWS IVPFBE-N 30</p> |
|  <p>FEMALE BLOCK ELBOWS IVPFBE-R 30</p> |  <p>STREET ELBOWS IVPSE-N 31</p> |  <p>STREET ELBOWS IVPSE-R 32</p> |
|  <p>MALE TEES IVPMT-N 33</p> |  <p>MALE TEES IVPMT-R 33</p> |  <p>MALE BRANCH TEES IVPMBT-N 34</p> |
|  <p>MALE BRANCH TEES IVPMBT-R 35</p> |  <p>MALE STREET TEES IVPMST-N 35</p> |  <p>MALE STREET TEES IVPMST-R 36</p> |
|  <p>FEMALE TEES IVPFT-N 36</p> |  <p>FEMALE TEES IVPFT-R 37</p> |  <p>FEMALE BLOCK TEES IVPFBT-N 37</p> |
|  <p>FEMALE BLOCK TEES IVPFBT-R 38</p> |  <p>FEMALE CROSSES IVPFC-N 38</p> |  <p>FEMALE CROSSES IVPFC-R 39</p> |

Example of item ordering

1. Male Branch Tee 1/2 inch NPT Thread (Page no. 34)

Material* > Product code** > Fitting type 'T'*** > Fitting size 'T'

SS316 > IVPMBT > N (NPT) > 8

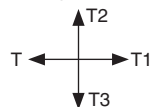
2. Female Cross 3/4 inch ISO/BSPT Thread (page no 39)

Material* > Product code** > Fitting type 'T'*** > Fitting size 'T' > Fitting type T1 > Fitting size T1 > Fitting type T2 > Fitting size T2 > Fitting type T3 > Fitting size T3

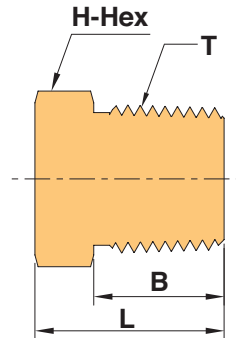
SS316 > IVPFC > R (ISO / BSPT) > 12

*Materials - SS316, SS316L etc, **Product code eg IVPMBT, IVPFC etc... ***N(NPT Thread), R(ISO / BSPT Thread), AN (JIC)

Follow IDEAL Fitting combination rule.



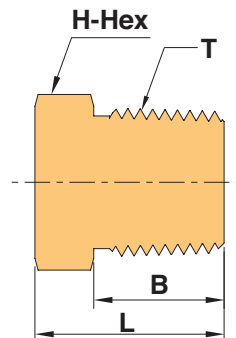
PLUGS IVPP-N



MALE NPT THREADS

| Part Number | T-NPT Inch | L mm | B mm | H-Hex. Width mm | Nominal Working Pressure psig |
|-------------|---------------|---------|---------|-----------------------|-------------------------------------|
| IVPP-N-2 | 1/8 | 16.00 | 9.70 | 11.00 | 15K |
| IVPP-N-4 | 1/4 | 22.00 | 14.00 | 14.00 | 15K |
| IVPP-N-6 | 3/8 | 23.50 | 14.00 | 17.00 | 15K |
| IVPP-N-8 | 1/2 | 29.50 | 19.00 | 22.00 | 15K |
| IVPP-N-12 | 3/4 | 32.00 | 19.00 | 27.00 | 10K |
| IVPP-N-16 | 1 | 39.00 | 24.00 | 35.00 | 10K |

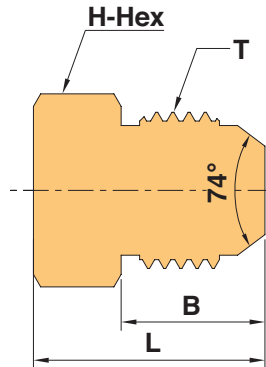
PLUGS IVPP-R



MALE ISO/BSPT THREADS

| Part Number | T-ISO/BSPT Inch | L mm | B mm | H-Hex. Width mm | Nominal Working Pressure psig |
|-------------|--------------------|---------|---------|-----------------------|-------------------------------------|
| IVPP-R-2 | 1/8 | 16.00 | 9.70 | 11.00 | 15K |
| IVPP-R-4 | 1/4 | 22.00 | 14.00 | 14.00 | 15K |
| IVPP-R-6 | 3/8 | 23.50 | 14.00 | 17.00 | 15K |
| IVPP-R-8 | 1/2 | 29.50 | 19.00 | 22.00 | 15K |
| IVPP-R-12 | 3/4 | 32.00 | 19.00 | 27.00 | 10K |
| IVPP-R-16 | 1 | 39.00 | 24.00 | 35.00 | 10K |

PLUGS IVPP-AN

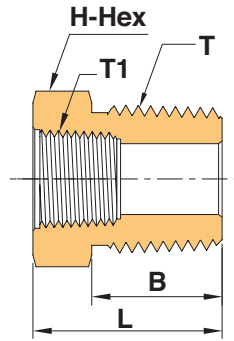


MALE JIC

| Part Number | T-SAE/MS Inch | L mm | B mm | H-Hex. Width mm | Nominal Working Pressure psig |
|-------------|------------------|---------|---------|-----------------------|-------------------------------------|
| IVPP-AN-4 | 7/16-20 | 21.00 | 14.00 | 13.00 | 20K |
| IVPP-AN-6 | 9/16-18 | 22.50 | 14.00 | 16.00 | 20K |
| IVPP-AN-8 | 3/4-16 | 27.00 | 17.00 | 20.00 | 20K |
| IVPP-AN-10 | 7/8-14 | 30.00 | 19.00 | 24.00 | 20K |
| IVPP-AN-12 | 1.1/16-12 | 35.00 | 22.00 | 28.00 | 15K |
| IVPP-AN-16 | 1.5/16-12 | 38.00 | 23.00 | 35.00 | 15K |

Note: Other than above shown threads fittings are available up on request.

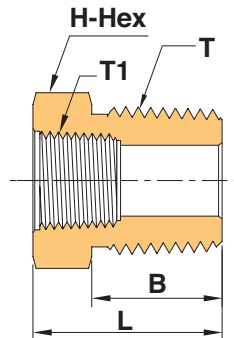
BUSHING IVPB-N



NPT THREADS

| Part Number | T-NPT Inch | T1-NPT Inch | L mm | B mm | H-Hex. Width mm | Nominal Working Pressure psig |
|--------------|---------------|----------------|---------|---------|-----------------------|-------------------------------------|
| IVPB-N-4-2 | 1/4 | 1/8 | 21.00 | 14.00 | 14.00 | 15K |
| IVPB-N-6-4 | 3/8 | 1/4 | 21.00 | 14.00 | 19.00 | 15K |
| IVPB-N-8-2 | 1/2 | 3/8 | 26.00 | 19.00 | 22.00 | 15K |
| IVPB-N-8-4 | 1/2 | 1/4 | 26.00 | 19.00 | 22.00 | 15K |
| IVPB-N-12-8 | 3/4 | 1/2 | 27.00 | 19.00 | 28.00 | 10K |
| IVPB-N-16-12 | 1 | 3/4 | 36.00 | 24.00 | 36.00 | 10K |

BUSHING IVPB-R

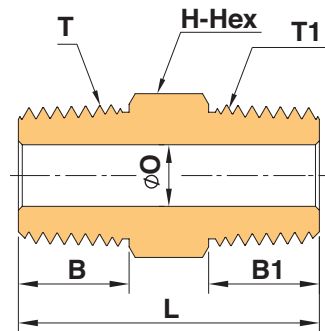


ISO/BSPT THREADS

| Part Number | T-ISO/BSPT Inch | T1-ISO/BSPT Inch | L mm | B mm | H-Hex. Width mm | Nominal Working Pressure psig |
|--------------|--------------------|---------------------|---------|---------|-----------------------|-------------------------------------|
| IVPB-R-4-2 | 1/4 | 1/8 | 21.00 | 14.00 | 14.00 | 15K |
| IVPB-R-6-4 | 3/8 | 1/4 | 21.00 | 14.00 | 19.00 | 15K |
| IVPB-R-8-2 | 1/2 | 3/8 | 26.00 | 19.00 | 22.00 | 15K |
| IVPB-R-8-4 | 1/2 | 1/4 | 26.00 | 19.00 | 22.00 | 15K |
| IVPB-R-12-8 | 3/4 | 1/2 | 27.00 | 19.00 | 28.00 | 10K |
| IVPB-R-16-12 | 1 | 3/4 | 36.00 | 24.00 | 36.00 | 10K |

Note: Other than above shown threads fittings are available up on request.

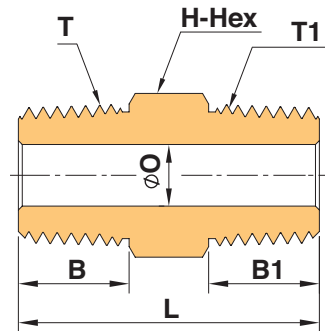
HEX NIPPLES IVPN-N



MALE NPT THREADS

| Part Number | T-NPT Inch | T1-NPT Inch | L mm | B mm | B1 mm | O-Min. mm | H-Hex. Width mm | Nominal Working Pressure psig |
|--------------|---------------|----------------|---------|---------|----------|--------------|-----------------------|--|
| IVPN-N-2-2 | 1/8 | 1/8 | 26.50 | 9.80 | 9.80 | 4.80 | 11.00 | 15K |
| IVPN-N-4-4 | 1/4 | 1/4 | 37.50 | 14.20 | 14.20 | 6.40 | 14.00 | 15K |
| IVPN-N-4-2 | 1/4 | 1/8 | 33.00 | 14.20 | 14.20 | 4.80 | 14.00 | 15K |
| IVPN-N-6-6 | 3/8 | 3/8 | 38.50 | 14.20 | 14.20 | 7.90 | 18.00 | 15K |
| IVPN-N-6-2 | 3/8 | 1/8 | 34.00 | 14.20 | 9.80 | 4.80 | 18.00 | 15K |
| IVPN-N-6-4 | 3/8 | 1/4 | 38.50 | 14.20 | 14.20 | 6.40 | 18.00 | 15K |
| IVPN-N-8-8 | 1/2 | 1/2 | 49.50 | 19.10 | 19.10 | 9.60 | 22.00 | 15K |
| IVPN-N-8-2 | 1/2 | 1/8 | 40.20 | 19.10 | 19.10 | 4.80 | 22.00 | 15K |
| IVPN-N-8-4 | 1/2 | 1/4 | 44.80 | 19.10 | 19.10 | 6.40 | 22.00 | 15K |
| IVPN-N-8-6 | 1/2 | 3/8 | 44.80 | 19.10 | 19.10 | 7.90 | 22.00 | 15K |
| IVPN-N-12-12 | 3/4 | 3/4 | 59.00 | 19.10 | 19.10 | 14.80 | 27.00 | 10K |
| IVPN-N-12-2 | 3/4 | 1/8 | 42.50 | 19.10 | 9.80 | 5.50 | 27.00 | 10K |
| IVPN-N-12-4 | 3/4 | 1/4 | 46.50 | 19.10 | 14.20 | 7.10 | 27.00 | 10K |
| IVPN-N-12-6 | 3/4 | 3/8 | 47.00 | 19.10 | 14.20 | 9.60 | 27.00 | 10K |
| IVPN-N-12-8 | 3/4 | 1/2 | 52.00 | 19.10 | 19.10 | 11.90 | 27.00 | 10K |
| IVPN-N-16-16 | 1 | 1 | 64.00 | 24.00 | 24.00 | 20.00 | 35.00 | 10K |
| IVPN-N-16-2 | 1 | 1/8 | 50.00 | 24.00 | 9.80 | 5.50 | 35.00 | 10K |
| IVPN-N-16-4 | 1 | 1/4 | 54.50 | 24.00 | 14.20 | 7.10 | 35.00 | 10K |
| IVPN-N-16-6 | 1 | 3/8 | 54.50 | 24.00 | 14.20 | 9.60 | 35.00 | 10K |
| IVPN-N-16-8 | 1 | 1/2 | 59.00 | 24.00 | 19.10 | 11.90 | 35.00 | 10K |
| IVPN-N-16-12 | 1 | 3/4 | 59.00 | 24.00 | 19.10 | 14.80 | 35.00 | 10K |

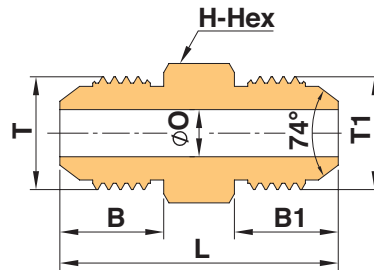
HEX NIPPLES IVPN-R



MALE ISO/BSPT THREADS

| Part Number | T-ISO/BSPT Inch | T1-ISO/BSPT Inch | L mm | B mm | B1 mm | O-Min. mm | H-Hex. Width mm | Nominal Working Pressure psig |
|--------------|--------------------|---------------------|---------|---------|----------|--------------|-----------------------|--|
| IVPN-R-2-2 | 1/8 | 1/8 | 26.50 | 9.80 | 9.80 | 4.80 | 11.00 | 15K |
| IVPN-R-4-4 | 1/4 | 1/4 | 37.50 | 14.20 | 14.20 | 6.40 | 14.00 | 15K |
| IVPN-R-4-2 | 1/4 | 1/8 | 33.00 | 14.20 | 14.20 | 4.80 | 14.00 | 15K |
| IVPN-R-6-6 | 3/8 | 3/8 | 38.50 | 14.20 | 14.20 | 7.90 | 18.00 | 15K |
| IVPN-R-6-2 | 3/8 | 1/8 | 34.00 | 14.20 | 9.80 | 4.80 | 18.00 | 15K |
| IVPN-R-6-4 | 3/8 | 1/4 | 38.50 | 14.20 | 14.20 | 6.40 | 18.00 | 15K |
| IVPN-R-8-8 | 1/2 | 1/2 | 49.50 | 19.10 | 19.10 | 9.60 | 22.00 | 15K |
| IVPN-R-8-2 | 1/2 | 1/8 | 40.20 | 19.10 | 19.10 | 4.80 | 22.00 | 15K |
| IVPN-R-8-4 | 1/2 | 1/4 | 44.80 | 19.10 | 19.10 | 6.40 | 22.00 | 15K |
| IVPN-R-8-6 | 1/2 | 3/8 | 44.80 | 19.10 | 19.10 | 7.90 | 22.00 | 15K |
| IVPN-R-12-12 | 3/4 | 3/4 | 59.00 | 19.10 | 19.10 | 14.80 | 27.00 | 10K |
| IVPN-R-12-2 | 3/4 | 1/8 | 42.50 | 19.10 | 9.80 | 5.50 | 27.00 | 10K |
| IVPN-R-12-4 | 3/4 | 1/4 | 46.50 | 19.10 | 14.20 | 7.10 | 27.00 | 10K |
| IVPN-R-12-6 | 3/4 | 3/8 | 47.00 | 19.10 | 14.20 | 9.60 | 27.00 | 10K |
| IVPN-R-12-8 | 3/4 | 1/2 | 52.00 | 19.10 | 19.10 | 11.90 | 27.00 | 10K |
| IVPN-R-16-16 | 1 | 1 | 64.00 | 24.00 | 24.00 | 20.00 | 35.00 | 10K |
| IVPN-R-16-2 | 1 | 1/8 | 50.00 | 24.00 | 9.80 | 5.50 | 35.00 | 10K |
| IVPN-R-16-4 | 1 | 1/4 | 54.50 | 24.00 | 14.20 | 7.10 | 35.00 | 10K |
| IVPN-R-16-6 | 1 | 3/8 | 54.50 | 24.00 | 14.20 | 9.60 | 35.00 | 10K |
| IVPN-R-16-8 | 1 | 1/2 | 59.00 | 24.00 | 19.10 | 11.90 | 35.00 | 10K |
| IVPN-R-16-12 | 1 | 3/4 | 59.00 | 24.00 | 19.10 | 14.80 | 35.00 | 10K |

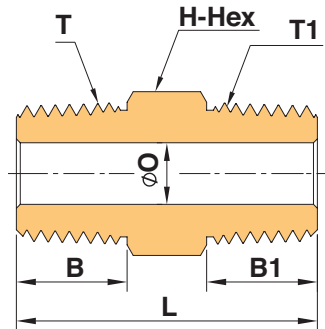
HEX NIPPLES IVPN-AN



MALE JIC

| Part Number | T-SAE/MS Inch | T1-SAE/MS Inch | L mm | B mm | B1 mm | O-Min. mm | H-Hex. Width mm | Nominal Working Pressure psig |
|---------------|------------------|-------------------|---------|---------|----------|--------------|-----------------------|--|
| IVPN-AN-4-4 | 7/16-20 | 7/16-20 | 35.50 | 14.00 | 14.00 | 4.40 | 13.0 | 15K |
| IVPN-AN-6-6 | 9/16-18 | 9/16-18 | 38.00 | 14.10 | 14.10 | 5.80 | 16.00 | 15K |
| IVPN-AN-6-4 | 9/16-18 | 7/16-20 | 38.00 | 14.10 | 14.00 | 4.40 | 16.00 | 15K |
| IVPN-AN-8-8 | 3/4-16 | 3/4-16 | 44.50 | 16.80 | 16.80 | 8.00 | 21.00 | 15K |
| IVPN-AN-8-6 | 3/4-16 | 9/16-18 | 42.00 | 16.80 | 14.10 | 5.80 | 21.00 | 15K |
| IVPN-AN-12-12 | 1.1/16-12 | 1.1/16-12 | 58.00 | 22.00 | 22.00 | 11.50 | 28.00 | 15K |
| IVPN-AN-12-8 | 1.1/16-12 | 3/4-16 | 53.00 | 22.00 | 16.70 | 8.00 | 28.00 | 15K |
| IVPN-AN-16-16 | 1.5/16-12 | 1.5/16-12 | 62.50 | 23.00 | 23.00 | 14.50 | 35.00 | 15K |
| IVPN-AN-16-12 | 1.5/16-12 | 1.1/16-12 | 61.00 | 23.00 | 22.00 | 11.50 | 35.00 | 15K |

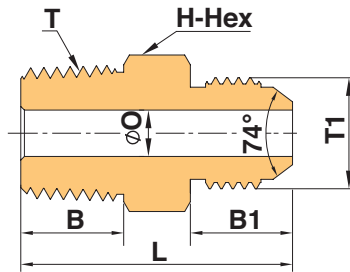
HEX NIPPLES IVPN-N-R



MALE NPT x ISO/BSPT THREADS

| Part Number | T-NPT Inch | T1-ISO/BSPT Inch | L mm | B mm | B1 mm | O-Min. mm | H-Hex. Width mm | Nominal Working Pressure psig |
|--------------|---------------|---------------------|---------|---------|----------|--------------|-----------------------|--|
| IVPN-N2-R2 | 1/8 | 1/8 | 26.50 | 9.80 | 9.80 | 4.80 | 11.00 | 15K |
| IVPN-N4-R4 | 1/4 | 1/4 | 37.50 | 14.20 | 14.20 | 6.40 | 14.00 | 15K |
| IVPN-N4-R2 | 1/4 | 1/8 | 33.00 | 14.20 | 14.20 | 4.80 | 14.00 | 15K |
| IVPN-N6-R6 | 3/8 | 3/8 | 38.50 | 14.20 | 14.20 | 7.90 | 18.00 | 15K |
| IVPN-N6-R2 | 3/8 | 1/8 | 34.00 | 14.20 | 9.80 | 4.80 | 18.00 | 15K |
| IVPN-N6-R4 | 3/8 | 1/4 | 38.50 | 14.20 | 14.20 | 6.40 | 18.00 | 15K |
| IVPN-N8-R8 | 1/2 | 1/2 | 49.50 | 19.10 | 19.10 | 9.60 | 22.00 | 15K |
| IVPN-N8-R2 | 1/2 | 1/8 | 40.20 | 19.10 | 19.10 | 4.80 | 22.00 | 15K |
| IVPN-N8-R4 | 1/2 | 1/4 | 44.80 | 19.10 | 19.10 | 6.40 | 22.00 | 15K |
| IVPN-N8-R6 | 1/2 | 3/8 | 44.80 | 19.10 | 19.10 | 7.90 | 22.00 | 15K |
| IVPN-N12-R12 | 3/4 | 3/4 | 59.00 | 19.10 | 19.10 | 14.80 | 27.00 | 10K |
| IVPN-NR12-R2 | 3/4 | 1/8 | 42.50 | 19.10 | 9.80 | 5.50 | 27.00 | 10K |
| IVPN-N12-R4 | 3/4 | 1/4 | 46.50 | 19.10 | 14.20 | 7.10 | 27.00 | 10K |
| IVPN-N12-R6 | 3/4 | 3/8 | 47.00 | 19.10 | 14.20 | 9.60 | 27.00 | 10K |
| IVPN-N12-R8 | 3/4 | 1/2 | 52.00 | 19.10 | 19.10 | 11.90 | 27.00 | 10K |
| IVPN-N16-R16 | 1 | 1 | 64.00 | 24.00 | 24.00 | 20.00 | 35.00 | 10K |
| IVPN-N16-R2 | 1 | 1/8 | 50.00 | 24.00 | 9.80 | 5.50 | 35.00 | 10K |
| IVPN-N16-R4 | 1 | 1/4 | 54.50 | 24.00 | 14.20 | 7.10 | 35.00 | 10K |
| IVPN-N16-R6 | 1 | 3/8 | 54.50 | 24.00 | 14.20 | 9.60 | 35.00 | 10K |
| IVPN-N16-R8 | 1 | 1/2 | 59.00 | 24.00 | 19.10 | 11.90 | 35.00 | 10K |
| IVPN-N16-R12 | 1 | 3/4 | 59.00 | 24.00 | 19.10 | 14.80 | 35.00 | 10K |

HEX NIPPLES IVPN-N-AN

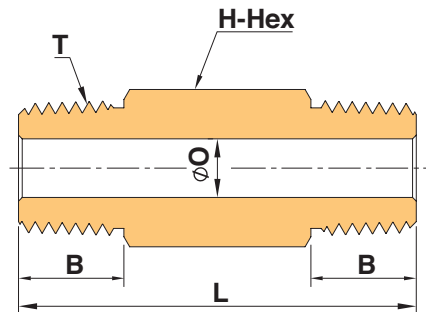


MALE NPT THREADS x MALE JIC

| Part Number | T-NPT Inch | T1-SAE/MS Inch | L mm | B mm | B1 mm | O-Min. mm | H-Hex. Width mm | Nominal Working Pressure psig |
|---------------|---------------|-------------------|---------|---------|----------|--------------|-----------------------|--|
| IVPN-N2-AN4 | 1/8 | 7/16-20 | 31.50 | 9.70 | 14.00 | 4.40 | 13.00 | 15K |
| IVPN-N2-AN6 | 1/8 | 9/16-18 | 33.50 | 9.70 | 14.10 | 4.80 | 16.00 | 15K |
| IVPN-N4-AN4 | 1/4 | 7/16-20 | 37.00 | 14.20 | 14.00 | 4.40 | 14.00 | 15K |
| IVPN-N4-AN6 | 1/4 | 9/16-18 | 38.00 | 14.20 | 14.10 | 5.80 | 16.00 | 15K |
| IVPN-N4-AN8 | 1/4 | 3/4-16 | 42.00 | 14.20 | 16.70 | 6.40 | 20.50 | 15K |
| IVPN-N6-AN4 | 3/8 | 7/16-20 | 38.50 | 14.20 | 14.00 | 4.50 | 17.00 | 15K |
| IVPN-N6-AN6 | 3/8 | 9/16-18 | 38.50 | 14.20 | 14.10 | 5.80 | 17.00 | 15K |
| IVPN-N6-AN8 | 3/8 | 3/4-16 | 41.00 | 14.20 | 16.70 | 7.90 | 21.00 | 15K |
| IVPN-N8-AN4 | 1/2 | 7/16-20 | 44.50 | 19.00 | 14.00 | 4.40 | 22.00 | 15K |
| IVPN-N8-AN6 | 1/2 | 9/16-18 | 44.80 | 19.00 | 14.10 | 5.80 | 22.00 | 15K |
| IVPN-N8-AN8 | 1/2 | 3/4-16 | 47.20 | 19.00 | 16.70 | 7.90 | 22.00 | 15K |
| IVPN-N12-AN8 | 3/4 | 3/4-16 | 49.50 | 19.00 | 16.70 | 9.90 | 27.00 | 10K |
| IVPN-N12-AN12 | 3/4 | 1.1/16-12 | 55.00 | 19.00 | 22.00 | 14.80 | 28.00 | 10K |
| IVPN-N12-AN16 | 3/4 | 1.5/16-12 | 58.50 | 19.00 | 23.00 | 14.80 | 35.00 | 10K |
| IVPN-N16-AN12 | 1 | 1.1/16-12 | 62.00 | 24.00 | 23.00 | 15.80 | 35.00 | 10K |
| IVPN-N16-AN16 | 1 | 1.5/16-12 | 63.50 | 24.00 | 23.00 | 19.80 | 35.00 | 10K |

Note: Other than above shown threads fittings are available up on request.

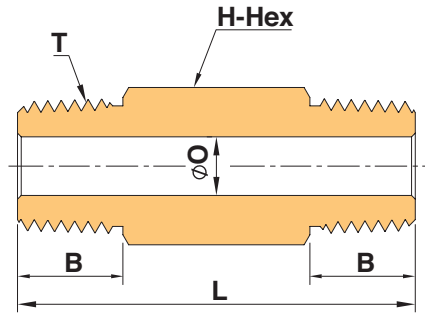
HEX LONG NIPPLES IVPLN-N



MALE NPT THREADS

| Part Number | T-NPT Inch | L mm | B mm | O-Min. mm | H-Hex. Width mm | Nominal Working Pressure psig |
|--------------|---------------|---------|---------|--------------|-----------------------|-------------------------------------|
| IVPLN-N2-2 | 1/8 | 2.00 | 9.80 | 4.80 | 11.00 | 15K |
| IVPLN-N2-2.5 | 1/8 | 2.50 | 9.80 | 4.80 | 11.00 | 15K |
| IVPLN-N2-3 | 1/8 | 3.00 | 9.80 | 4.80 | 11.00 | 15K |
| IVPLN-N4-2.5 | 1/4 | 2.50 | 14.20 | 4.80 | 14.00 | 15K |
| IVPLN-N4-3 | 1/4 | 3.00 | 14.20 | 4.80 | 14.00 | 15K |
| IVPLN-N4-4 | 1/4 | 4.00 | 14.20 | 4.80 | 14.00 | 15K |
| IVPLN-N6-2.5 | 3/8 | 2.50 | 14.20 | 7.90 | 18.00 | 15K |
| IVPLN-N6-3 | 3/8 | 3.00 | 14.20 | 7.90 | 18.00 | 15K |
| IVPLN-N6-4 | 3/8 | 4.00 | 14.20 | 7.90 | 18.00 | 15K |
| IVPLN-N8-3 | 1/2 | 3.00 | 19.10 | 9.60 | 22.00 | 15K |
| IVPLN-N8-4 | 1/2 | 4.00 | 19.10 | 9.60 | 22.00 | 15K |
| IVPLN-N8-6 | 1/2 | 6.00 | 19.10 | 9.60 | 22.00 | 15K |
| IVPLN-N12-3 | 3/4 | 3.00 | 19.10 | 14.80 | 27.00 | 10K |
| IVPLN-N12-4 | 3/4 | 4.00 | 19.10 | 14.80 | 27.00 | 10K |
| IVPLN-N16-3 | 1 | 3.00 | 24.00 | 20.00 | 35.00 | 10K |
| IVPLN-N16-4 | 1 | 4.00 | 24.00 | 20.00 | 35.00 | 10K |
| IVPLN-N16-6 | 1 | 6.00 | 24.00 | 20.00 | 35.00 | 10K |

HEX LONG NIPPLES IVPLN-R

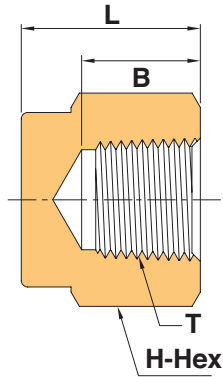


MALE ISO/BSPT THREADS

| Part Number | T-ISO/BSPT Inch | L mm | B mm | O-Min. mm | H-Hex. Width mm | Nominal Working Pressure psig |
|--------------|--------------------|---------|---------|--------------|--------------------|-------------------------------------|
| IVPLN-R2-2 | 1/8 | 2.00 | 9.80 | 4.80 | 11.00 | 15K |
| IVPLN-R2-2.5 | 1/8 | 2.50 | 9.80 | 4.80 | 11.00 | 15K |
| IVPLN-R2-3 | 1/8 | 3.00 | 9.80 | 4.80 | 11.00 | 15K |
| IVPLN-R4-2.5 | 1/4 | 2.50 | 14.20 | 4.80 | 14.00 | 15K |
| IVPLN-R4-3 | 1/4 | 3.00 | 14.20 | 4.80 | 14.00 | 15K |
| IVPLN-R4-4 | 1/4 | 4.00 | 14.20 | 4.80 | 14.00 | 15K |
| IVPLN-R6-2.5 | 3/8 | 2.50 | 14.20 | 7.90 | 18.00 | 15K |
| IVPLN-R6-3 | 3/8 | 3.00 | 14.20 | 7.90 | 18.00 | 15K |
| IVPLN-R6-4 | 3/8 | 4.00 | 14.20 | 7.90 | 18.00 | 15K |
| IVPLN-R8-3 | 1/2 | 3.00 | 19.10 | 9.60 | 22.00 | 15K |
| IVPLN-R8-4 | 1/2 | 4.00 | 19.10 | 9.60 | 22.00 | 15K |
| IVPLN-R8-6 | 1/2 | 6.00 | 19.10 | 9.60 | 22.00 | 15K |
| IVPLN-R12-3 | 3/4 | 3.00 | 19.10 | 14.80 | 27.00 | 10K |
| IVPLN-R12-4 | 3/4 | 4.00 | 19.10 | 14.80 | 27.00 | 10K |
| IVPLN-R16-3 | 1 | 3.00 | 24.00 | 20.00 | 35.00 | 10K |
| IVPLN-R16-4 | 1 | 4.00 | 24.00 | 20.00 | 35.00 | 10K |
| IVPLN-R16-6 | 1 | 6.00 | 24.00 | 20.00 | 35.00 | 10K |

Note: Other than above shown lengths are available up on request.

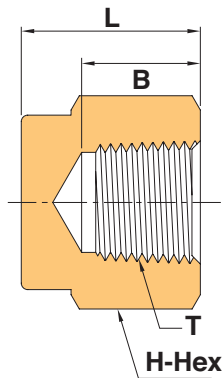
**CAPS
IVPCA-N**



FEMALE NPT THREADS

| Part Number | T-NPT Inch | L mm | B mm | H-Hex. Width mm | Nominal Working Pressure psig |
|-------------|---------------|---------|---------|-----------------------|-------------------------------------|
| IVPCA-N-2 | 1/8 | 19.00 | 10.50 | 16.00 | 15K |
| IVPCA-N-4 | 1/4 | 23.00 | 15.00 | 24.00 | 15K |
| IVPCA-N-6 | 3/8 | 26.00 | 15.00 | 28.00 | 15K |
| IVPCA-N-8 | 1/2 | 34.00 | 19.80 | 35.00 | 15K |
| IVPCA-N-12 | 3/4 | 37.00 | 20.50 | 38.00 | 10K |
| IVPCA-N-16 | 1 | 41.00 | 25.50 | 45.00 | 10K |

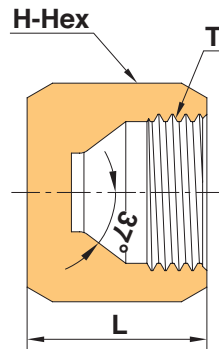
**CAPS
IVPCA-R**



FEMALE ISO/BSPT THREADS

| Part Number | T-NPT Inch | L mm | B mm | H-Hex. Width mm | Nominal Working Pressure psig |
|-------------|---------------|---------|---------|-----------------------|-------------------------------------|
| IVPCA-R-2 | 1/8 | 19.00 | 10.50 | 16.00 | 15K |
| IVPCA-R-4 | 1/4 | 23.00 | 15.00 | 24.00 | 15K |
| IVPCA-R-6 | 3/8 | 26.00 | 15.00 | 28.00 | 15K |
| IVPCA-R-8 | 1/2 | 34.00 | 19.80 | 35.00 | 15K |
| IVPCA-R-12 | 3/4 | 37.00 | 20.50 | 38.00 | 10K |
| IVPCA-R-16 | 1 | 41.00 | 25.50 | 45.00 | 10K |

**CAPS
IVPCA-AN**

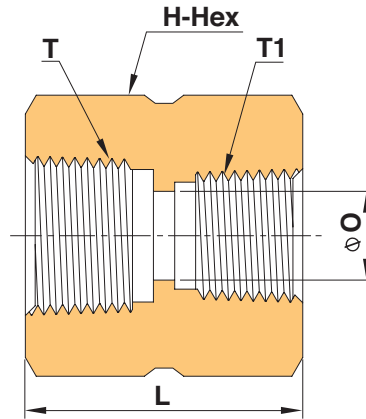


FEMALE JIC

| Part Number | T1-SAE/MS Inch | L mm | B mm | H-Hex. Width mm | Nominal Working Pressure psig |
|-------------|-------------------|---------|---------|-----------------------|-------------------------------------|
| IVPCA-AN-4 | 7/16-20 | 16.00 | 11.00 | 14.00 | 15K |
| IVPCA-AN-6 | 9/16-18 | 18.10 | 11.00 | 18.00 | 15K |
| IVPCA-AN-8 | 3/4-16 | 22.00 | 13.00 | 22.00 | 15K |
| IVPCA-AN-12 | 1.1/16-12 | 27.00 | 18.00 | 32.00 | 15K |
| IVPCA-AN-16 | 1.5/16-12 | 31.00 | 19.00 | 38.00 | 15K |

Note: Other than above shown threads fittings are available up on request.

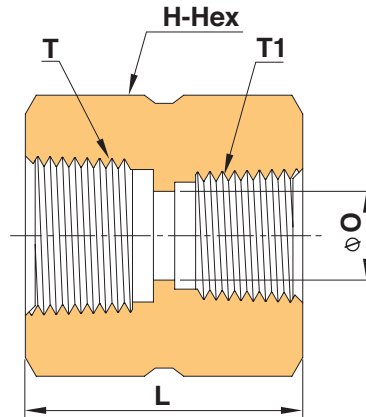
HEX COUPLINGS IVPC-N



FEMALE NPT THREADS

| Part Number | T-NPT Inch | T1-NPT Inch | L mm | O-Min. mm | H-Hex. Width mm | Nominal Working Pressure psig |
|--------------|---------------|----------------|---------|--------------|--------------------|-------------------------------------|
| IVPC-N-2-2 | 1/8 | 1/8 | 24.00 | 8.00 | 16.00 | 15K |
| IVPC-N-4-4 | 1/4 | 1/4 | 33.50 | 10.40 | 24.00 | 15K |
| IVPC-N-4-2 | 1/4 | 1/8 | 29.00 | 8.00 | 24.00 | 15K |
| IVPC-N-6-6 | 3/8 | 3/8 | 33.50 | 13.80 | 28.00 | 15K |
| IVPC-N-6-2 | 3/8 | 1/8 | 29.00 | 8.00 | 28.00 | 15K |
| IVPC-N-6-4 | 3/8 | 1/4 | 33.50 | 10.40 | 28.00 | 15K |
| IVPC-N-8-8 | 1/2 | 1/2 | 43.60 | 16.80 | 35.00 | 15K |
| IVPC-N-8-2 | 1/2 | 1/8 | 34.00 | 8.00 | 35.00 | 15K |
| IVPC-N-8-4 | 1/2 | 1/4 | 39.00 | 10.40 | 35.00 | 15K |
| IVPC-N-8-6 | 1/2 | 3/8 | 39.00 | 13.80 | 35.00 | 15K |
| IVPC-N-12-12 | 3/4 | 3/4 | 46.50 | 22.50 | 38.00 | 10K |
| IVPC-N-12-2 | 3/4 | 1/8 | 35.50 | 8.00 | 38.00 | 10K |
| IVPC-N-12-4 | 3/4 | 1/4 | 40.00 | 10.40 | 38.00 | 10K |
| IVPC-N-12-6 | 3/4 | 3/8 | 40.00 | 13.80 | 38.00 | 10K |
| IVPC-N-12-8 | 3/4 | 1/2 | 45.50 | 16.80 | 38.00 | 10K |
| IVPC-N-16-16 | 1 | 1 | 55.50 | 28.00 | 45.00 | 10K |
| IVPC-N-16-2 | 1 | 1/8 | 40.50 | 8.00 | 45.00 | 10K |
| IVPC-N-16-4 | 1 | 1/4 | 45.00 | 10.40 | 45.00 | 10K |
| IVPC-N-16-6 | 1 | 3/8 | 45.00 | 13.80 | 45.00 | 10K |
| IVPC-N-16-8 | 1 | 1/2 | 49.80 | 16.80 | 45.00 | 10K |
| IVPC-N-16-12 | 1 | 3/4 | 50.60 | 22.50 | 45.00 | 10K |

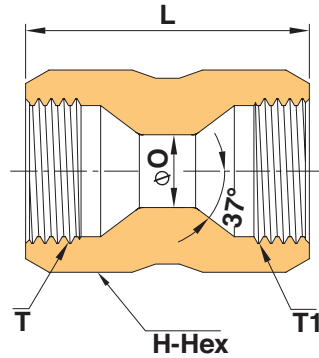
HEX COUPLINGS IVPC-R



FEMALE ISO/BSPT THREADS

| Part Number | T-ISO/BSPT Inch | T1-ISO/BSPT Inch | L mm | O-Min. mm | H-Hex. Width mm | Nominal Working Pressure psig |
|--------------|--------------------|---------------------|---------|--------------|--------------------|-------------------------------------|
| IVPC-R-2-2 | 1/8 | 1/8 | 24.00 | 8.00 | 16.00 | 15K |
| IVPC-R-4-4 | 1/4 | 1/4 | 33.50 | 10.40 | 24.00 | 15K |
| IVPC-R-4-2 | 1/4 | 1/8 | 29.00 | 8.00 | 24.00 | 15K |
| IVPC-R-6-6 | 3/8 | 3/8 | 33.50 | 13.80 | 28.00 | 15K |
| IVPC-R-6-2 | 3/8 | 1/8 | 29.00 | 8.00 | 28.00 | 15K |
| IVPC-R-6-4 | 3/8 | 1/4 | 33.50 | 10.40 | 28.00 | 15K |
| IVPC-R-8-8 | 1/2 | 1/2 | 43.60 | 16.80 | 35.00 | 15K |
| IVPC-R-8-2 | 1/2 | 1/8 | 34.00 | 8.00 | 35.00 | 15K |
| IVPC-R-8-4 | 1/2 | 1/4 | 39.00 | 10.40 | 35.00 | 15K |
| IVPC-R-8-6 | 1/2 | 3/8 | 39.00 | 13.80 | 35.00 | 15K |
| IVPC-R-12-12 | 3/4 | 3/4 | 46.50 | 22.50 | 38.00 | 10K |
| IVPC-R-12-2 | 3/4 | 1/8 | 35.50 | 8.00 | 38.00 | 10K |
| IVPC-R-12-4 | 3/4 | 1/4 | 40.00 | 10.40 | 38.00 | 10K |
| IVPC-R-12-6 | 3/4 | 3/8 | 40.00 | 13.80 | 38.00 | 10K |
| IVPC-R-12-8 | 3/4 | 1/2 | 45.50 | 16.80 | 38.00 | 10K |
| IVPC-R-16-16 | 1 | 1 | 55.50 | 28.00 | 45.00 | 10K |
| IVPC-R-16-2 | 1 | 1/8 | 40.50 | 8.00 | 45.00 | 10K |
| IVPC-R-16-4 | 1 | 1/4 | 45.00 | 10.40 | 45.00 | 10K |
| IVPC-R-16-6 | 1 | 3/8 | 45.00 | 13.80 | 45.00 | 10K |
| IVPC-R-16-8 | 1 | 1/2 | 49.80 | 16.80 | 45.00 | 10K |
| IVPC-R-16-12 | 1 | 3/4 | 50.60 | 22.50 | 45.00 | 10K |

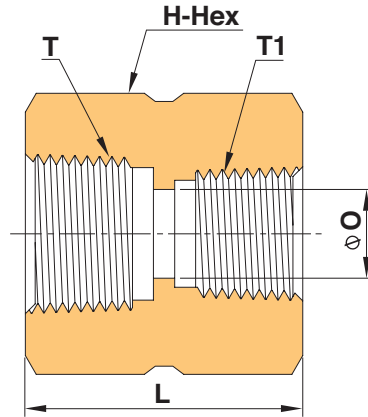
HEX COUPLINGS IVPC-AN



FEMALE JIC

| Part Number | T-SAE/MS Inch | T1-SAE/MS Inch | L mm | O-Min. mm | H-Hex. Width mm | Nominal Working Pressure psig |
|---------------|------------------|-------------------|---------|--------------|--------------------|-------------------------------------|
| IVPC-AN-4 | 7/16-20 | 7/16-20 | 31.50 | 4.30 | 14.00 | 15K |
| IVPC-AN-6 | 9/16-18 | 9/16-18 | 34.00 | 7.50 | 18.00 | 15K |
| IVPC-AN-6-4 | 9/16-18 | 7/16-20 | 32.00 | 4.30 | 18.00 | 15K |
| IVPC-AN-8 | 3/4-16 | 3/4-16 | 37.50 | 9.90 | 22.00 | 15K |
| IVPC-AN-8-6 | 3/4-16 | 9/16-18 | 35.50 | 7.50 | 22.00 | 15K |
| IVPC-AN-12 | 1.1/16-12 | 1.1/16-12 | 46.00 | 15.50 | 32.00 | 15K |
| IVPC-AN-16 | 1.5/16-12 | 1.5/16-12 | 50.00 | 21.40 | 38.00 | 15K |
| IVPC-AN-16-12 | 1.5/16-12 | 1.1/16-12 | 48.00 | 15.50 | 38.00 | 15K |

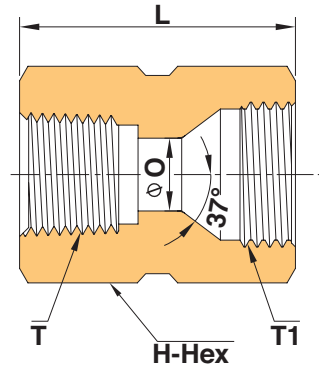
HEX COUPLINGS IVPC-N-R



FEMALE NPT x BSPT THREADS

| Part Number | T-NPT Inch | T1-ISO/BSPT Inch | L mm | O-Min. mm | H-Hex. Width mm | Nominal Working Pressure psig |
|--------------|---------------|---------------------|---------|--------------|--------------------|-------------------------------------|
| IVPC-N2-R2 | 1/8 | 1/8 | 24.00 | 8.00 | 16.00 | 15K |
| IVPC-N4-R4 | 1/4 | 1/4 | 33.50 | 10.40 | 24.00 | 15K |
| IVPC-N4-R2 | 1/4 | 1/8 | 29.00 | 8.00 | 24.00 | 15K |
| IVPC-N6-R6 | 3/8 | 3/8 | 33.50 | 13.80 | 28.00 | 15K |
| IVPC-N6-R2 | 3/8 | 1/8 | 29.00 | 8.00 | 28.00 | 15K |
| IVPC-N6-R4 | 3/8 | 1/4 | 33.50 | 10.40 | 28.00 | 15K |
| IVPC-N8-R8 | 1/2 | 1/2 | 43.60 | 16.80 | 35.00 | 15K |
| IVPC-N8-R2 | 1/2 | 1/8 | 34.00 | 8.00 | 35.00 | 15K |
| IVPC-N8-R4 | 1/2 | 1/4 | 39.00 | 10.40 | 35.00 | 15K |
| IVPC-N8-R6 | 1/2 | 3/8 | 39.00 | 13.80 | 35.00 | 15K |
| IVPC-N12-R12 | 3/4 | 3/4 | 46.50 | 22.50 | 38.00 | 10K |
| IVPC-N12-R2 | 3/4 | 1/8 | 35.50 | 8.00 | 38.00 | 10K |
| IVPC-N12-R4 | 3/4 | 1/4 | 40.00 | 10.40 | 38.00 | 10K |
| IVPC-N12-R6 | 3/4 | 3/8 | 40.00 | 13.80 | 38.00 | 10K |
| IVPC-N12-R8 | 3/4 | 1/2 | 45.50 | 16.80 | 38.00 | 10K |
| IVPC-N16-R16 | 1 | 1 | 55.50 | 28.00 | 45.00 | 10K |
| IVPC-N16-R2 | 1 | 1/8 | 40.50 | 8.00 | 45.00 | 10K |
| IVPC-N16-R4 | 1 | 1/4 | 45.00 | 10.40 | 45.00 | 10K |
| IVPC-N16-R6 | 1 | 3/8 | 45.00 | 13.80 | 45.00 | 10K |
| IVPC-N16-R8 | 1 | 1/2 | 49.80 | 16.80 | 45.00 | 10K |
| IVPC-N16-R12 | 1 | 3/4 | 50.60 | 22.50 | 45.00 | 10K |

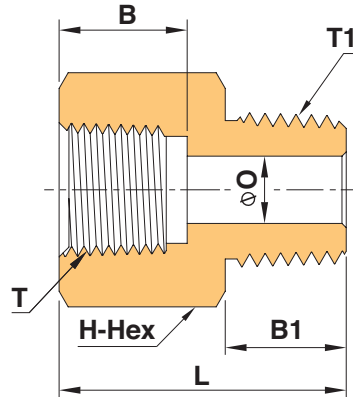
HEX COUPLINGS IVPC-N-AN



FEMALE NPT x BSPT THREADS

| Part Number | T-NPT Inch | T1-SAE/MS Inch | L mm | O-Min. mm | H-Hex. Width mm | Nominal Working Pressure psig |
|-------------|---------------|-------------------|---------|--------------|--------------------|-------------------------------------|
| IVPC-N2-AN4 | 1/8 | 7/16-20 | 28.50 | 4.30 | 16.00 | 15K |
| IVPC-N4-AN4 | 1/4 | 9/16-18 | 34.00 | 4.30 | 24.00 | 15K |
| IVPC-N4-AN6 | 1/4 | 7/16-20 | 34.50 | 7.50 | 24.00 | 15K |
| IVPC-N6-AN6 | 3/8 | 9/16-18 | 34.50 | 7.50 | 28.00 | 15K |
| IVPC-N6-AN4 | 3/8 | 7/16-20 | 34.00 | 4.30 | 28.00 | 15K |
| IVPC-N6-AN8 | 3/8 | 3/4-16 | 36.50 | 9.90 | 28.00 | 15K |
| IVPC-N8-AN8 | 1/2 | 3/4-16 | 42.00 | 9.90 | 35.00 | 15K |
| IVPC-N8-AN6 | 1/2 | 9/16-18 | 40.00 | 7.50 | 35.00 | 15K |

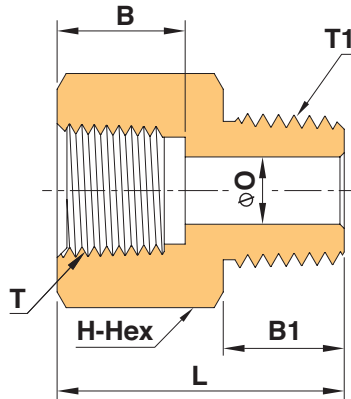
ADAPTERS IVPA-N



FEMALE NPT x MALE NPT THREADS

| Part Number | T-NPT Inch | T1-NPT Inch | L mm | B mm | B1 mm | O-Min. mm | H-Hex. Width mm | Nominal Working Pressure psig |
|--------------|---------------|----------------|---------|---------|----------|--------------|--------------------|--|
| IVPA-N-2-2 | 1/8 | 1/8 | 24.00 | 10.50 | 10.00 | 4.80 | 16.00 | 15K |
| IVPA-N-2-4 | 1/8 | 1/4 | 29.00 | 10.50 | 14.50 | 6.40 | 16.00 | 15K |
| IVPA-N-2-6 | 1/8 | 3/8 | 29.00 | 10.50 | 14.50 | 7.90 | 17.00 | 15K |
| IVPA-N-2-8 | 1/8 | 1/2 | 30.00 | 10.50 | 19.50 | 8.00 | 22.00 | 15K |
| IVPA-N-2-12 | 1/8 | 3/4 | 30.00 | 10.50 | 19.50 | 8.00 | 27.00 | 10K |
| IVPA-N-4-2 | 1/4 | 1/8 | 32.00 | 15.00 | 10.00 | 4.80 | 24.00 | 15K |
| IVPA-N-4-4 | 1/4 | 1/4 | 35.00 | 15.00 | 14.50 | 6.40 | 24.00 | 15K |
| IVPA-N-4-6 | 1/4 | 3/8 | 35.00 | 15.00 | 14.50 | 7.90 | 24.00 | 15K |
| IVPA-N-4-8 | 1/4 | 1/2 | 40.00 | 15.00 | 19.50 | 9.60 | 24.00 | 15K |
| IVPA-N-4-12 | 1/4 | 3/4 | 44.00 | 15.00 | 19.50 | 10.40 | 27.00 | 10K |
| IVPA-N-4-16 | 1/4 | 1 | 44.00 | 15.00 | 24.00 | 10.40 | 35.00 | 10K |
| IVPA-N-6-4 | 3/8 | 1/4 | 36.00 | 15.00 | 14.50 | 6.40 | 28.00 | 15K |
| IVPA-N-6-6 | 3/8 | 3/8 | 36.00 | 15.00 | 14.50 | 7.90 | 28.00 | 15K |
| IVPA-N-6-8 | 3/8 | 1/2 | 41.00 | 15.00 | 19.50 | 9.60 | 28.00 | 15K |
| IVPA-N-6-12 | 3/8 | 3/4 | 41.00 | 15.00 | 19.50 | 13.80 | 27.00 | 10K |
| IVPA-N-6-16 | 3/8 | 1 | 43.00 | 15.00 | 24.00 | 13.80 | 35.00 | 10K |
| IVPA-N-8-4 | 1/2 | 1/4 | 43.00 | 20.00 | 14.50 | 6.40 | 35.00 | 15K |
| IVPA-N-8-6 | 1/2 | 3/8 | 43.00 | 20.00 | 14.50 | 7.90 | 35.00 | 15K |
| IVPA-N-8-8 | 1/2 | 1/2 | 48.00 | 20.00 | 19.50 | 9.60 | 35.00 | 15K |
| IVPA-N-8-12 | 1/2 | 3/4 | 48.00 | 20.00 | 19.50 | 14.80 | 30.00 | 10K |
| IVPA-N-8-16 | 1/2 | 1 | 53.00 | 20.00 | 24.00 | 17.00 | 35.00 | 10K |
| IVPA-N-12-8 | 3/4 | 1/2 | 48.00 | 21.00 | 19.50 | 11.90 | 38.00 | 10K |
| IVPA-N-12-12 | 3/4 | 3/4 | 48.00 | 21.00 | 19.50 | 14.80 | 38.00 | 10K |
| IVPA-N-12-16 | 3/4 | 1 | 53.00 | 21.00 | 24.00 | 20.00 | 38.00 | 10K |
| IVPA-N-16-8 | 1 | 1/2 | 53.00 | 26.00 | 19.50 | 11.90 | 44.00 | 10K |
| IVPA-N-16-12 | 1 | 3/4 | 53.00 | 26.00 | 19.50 | 14.80 | 44.00 | 10K |
| IVPA-N-16-16 | 1 | 1 | 58.00 | 26.00 | 24.00 | 20.00 | 44.00 | 10K |

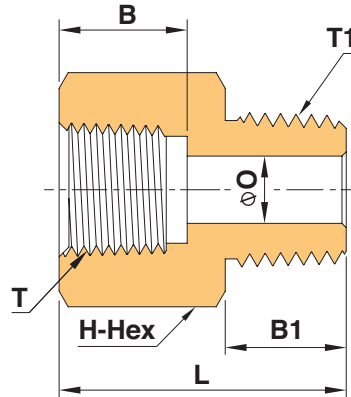
ADAPTERS IVPA-R



FEMALE BSPT x MALE BSPT THREADS

| Part Number | T1-ISO/BSPT Inch | T1-ISO/BSPT Inch | L mm | B mm | B1 mm | O-Min. mm | H-Hex. Width mm | Nominal Working Pressure psig |
|--------------|---------------------|---------------------|---------|---------|----------|--------------|--------------------|--|
| IVPA-R-2-2 | 1/8 | 1/8 | 24.00 | 10.50 | 10.00 | 4.80 | 16.00 | 15K |
| IVPA-R-2-4 | 1/8 | 1/4 | 29.00 | 10.50 | 14.50 | 6.40 | 16.00 | 15K |
| IVPA-R-2-6 | 1/8 | 3/8 | 29.00 | 10.50 | 14.50 | 7.90 | 17.00 | 15K |
| IVPA-R-2-8 | 1/8 | 1/2 | 30.00 | 10.50 | 19.50 | 8.00 | 22.00 | 15K |
| IVPA-R-2-12 | 1/8 | 3/4 | 30.00 | 10.50 | 19.50 | 8.00 | 27.00 | 10K |
| IVPA-R-4-2 | 1/4 | 1/8 | 32.00 | 15.00 | 10.00 | 4.80 | 24.00 | 15K |
| IVPA-R-4-4 | 1/4 | 1/4 | 35.00 | 15.00 | 14.50 | 6.40 | 24.00 | 15K |
| IVPA-R-4-6 | 1/4 | 3/8 | 35.00 | 15.00 | 14.50 | 7.90 | 24.00 | 15K |
| IVPA-R-4-8 | 1/4 | 1/2 | 40.00 | 15.00 | 19.50 | 9.60 | 24.00 | 15K |
| IVPA-R-4-12 | 1/4 | 3/4 | 44.00 | 15.00 | 19.50 | 10.40 | 27.00 | 10K |
| IVPA-R-4-16 | 1/4 | 1 | 44.00 | 15.00 | 24.00 | 10.40 | 35.00 | 10K |
| IVPA-R-6-4 | 3/8 | 1/4 | 36.00 | 15.00 | 14.50 | 6.40 | 28.00 | 15K |
| IVPA-R-6-6 | 3/8 | 3/8 | 36.00 | 15.00 | 14.50 | 7.90 | 28.00 | 15K |
| IVPA-R-6-8 | 3/8 | 1/2 | 41.00 | 15.00 | 19.50 | 9.60 | 28.00 | 15K |
| IVPA-R-6-12 | 3/8 | 3/4 | 41.00 | 15.00 | 19.50 | 13.80 | 27.00 | 10K |
| IVPA-R-6-16 | 3/8 | 1 | 43.00 | 15.00 | 24.00 | 13.80 | 35.00 | 10K |
| IVPA-R-8-4 | 1/2 | 1/4 | 43.00 | 20.00 | 14.50 | 6.40 | 35.00 | 15K |
| IVPA-R-8-6 | 1/2 | 3/8 | 43.00 | 20.00 | 14.50 | 7.90 | 35.00 | 15K |
| IVPA-R-8-8 | 1/2 | 1/2 | 48.00 | 20.00 | 19.50 | 9.60 | 35.00 | 15K |
| IVPA-R-8-12 | 1/2 | 3/4 | 48.00 | 20.00 | 19.50 | 14.80 | 30.00 | 10K |
| IVPA-R-8-16 | 1/2 | 1 | 53.00 | 20.00 | 24.00 | 17.00 | 35.00 | 10K |
| IVPA-R-12-8 | 3/4 | 1/2 | 48.00 | 21.00 | 19.50 | 11.90 | 38.00 | 10K |
| IVPA-R-12-12 | 3/4 | 3/4 | 48.00 | 21.00 | 19.50 | 14.80 | 38.00 | 10K |
| IVPA-R-12-16 | 3/4 | 1 | 53.00 | 21.00 | 24.00 | 20.00 | 38.00 | 10K |
| IVPA-R-16-8 | 1 | 1/2 | 53.00 | 26.00 | 19.50 | 11.90 | 44.00 | 10K |
| IVPA-R-16-12 | 1 | 3/4 | 53.00 | 26.00 | 19.50 | 14.80 | 44.00 | 10K |
| IVPA-R-16-16 | 1 | 1 | 58.00 | 26.00 | 24.00 | 20.00 | 44.00 | 10K |

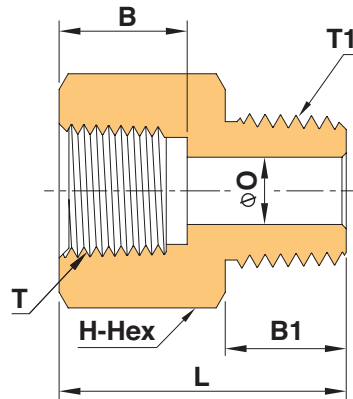
ADAPTERS IVPA-N-R



FEMALE NPT x MALE BSPT THREADS

| Part Number | T-NPT Inch | T1-ISO/BSPT Inch | L mm | B mm | B1 mm | O-Min. mm | H-Hex. Width mm | Nominal Working Pressure psig |
|--------------|---------------|---------------------|---------|---------|----------|--------------|--------------------|--|
| IVPA-N2-R2 | 1/8 | 1/8 | 24.00 | 10.50 | 10.00 | 4.80 | 16.00 | 15K |
| IVPA-N2-R4 | 1/8 | 1/4 | 29.00 | 10.50 | 14.50 | 6.40 | 16.00 | 15K |
| IVPA-N2-R6 | 1/8 | 3/8 | 29.00 | 10.50 | 14.50 | 7.90 | 17.00 | 15K |
| IVPA-N2-R8 | 1/8 | 1/2 | 30.00 | 10.50 | 19.50 | 8.00 | 22.00 | 15K |
| IVPA-N2-R12 | 1/8 | 3/4 | 30.00 | 10.50 | 19.50 | 8.00 | 27.00 | 10K |
| IVPA-N4-R2 | 1/4 | 1/8 | 32.00 | 15.00 | 10.00 | 4.80 | 24.00 | 15K |
| IVPA-N4-R4 | 1/4 | 1/4 | 35.00 | 15.00 | 14.50 | 6.40 | 24.00 | 15K |
| IVPA-N4-R6 | 1/4 | 3/8 | 35.00 | 15.00 | 14.50 | 7.90 | 24.00 | 15K |
| IVPA-N4-R8 | 1/4 | 1/2 | 40.00 | 15.00 | 19.50 | 9.60 | 24.00 | 15K |
| IVPA-N4-R12 | 1/4 | 3/4 | 44.00 | 15.00 | 19.50 | 10.40 | 27.00 | 10K |
| IVPA-N4-R16 | 1/4 | 1 | 44.00 | 15.00 | 24.00 | 10.40 | 35.00 | 10K |
| IVPA-N6-R4 | 3/8 | 1/4 | 36.00 | 15.00 | 14.50 | 6.40 | 28.00 | 15K |
| IVPA-N6-R6 | 3/8 | 3/8 | 36.00 | 15.00 | 14.50 | 7.90 | 28.00 | 15K |
| IVPA-N6-R8 | 3/8 | 1/2 | 41.00 | 15.00 | 19.50 | 9.60 | 28.00 | 15K |
| IVPA-N6-R12 | 3/8 | 3/4 | 41.00 | 15.00 | 19.50 | 13.80 | 27.00 | 10K |
| IVPA-N6-R16 | 3/8 | 1 | 43.00 | 15.00 | 24.00 | 13.80 | 35.00 | 10K |
| IVPA-N8-R4 | 1/2 | 1/4 | 43.00 | 20.00 | 14.50 | 6.40 | 35.00 | 15K |
| IVPA-N8-R6 | 1/2 | 3/8 | 43.00 | 20.00 | 14.50 | 7.90 | 35.00 | 15K |
| IVPA-N8-R8 | 1/2 | 1/2 | 48.00 | 20.00 | 19.50 | 9.60 | 35.00 | 15K |
| IVPA-N8-R12 | 1/2 | 3/4 | 48.00 | 20.00 | 19.50 | 14.80 | 30.00 | 10K |
| IVPA-N8-R16 | 1/2 | 1 | 53.00 | 20.00 | 24.00 | 17.00 | 35.00 | 10K |
| IVPA-N12-R8 | 3/4 | 1/2 | 48.00 | 21.00 | 19.50 | 11.90 | 38.00 | 10K |
| IVPA-N12-R12 | 3/4 | 3/4 | 48.00 | 21.00 | 19.50 | 14.80 | 38.00 | 10K |
| IVPA-N12-R16 | 3/4 | 1 | 53.00 | 21.00 | 24.00 | 20.00 | 38.00 | 10K |
| IVPA-N16-R8 | 1 | 1/2 | 53.00 | 26.00 | 19.50 | 11.90 | 44.00 | 10K |
| IVPA-N16-R12 | 1 | 3/4 | 53.00 | 26.00 | 19.50 | 14.80 | 44.00 | 10K |
| IVPA-N16-R16 | 1 | 1 | 58.00 | 26.00 | 24.00 | 20.00 | 44.00 | 10K |

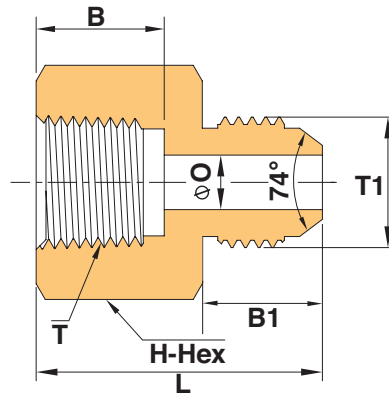
ADAPTERS IVPA-R-N



FEMALE BSPT x MALE NPT THREADS

| Part Number | T-ISO/BSPT Inch | T1-NPT Inch | L mm | B mm | B1 mm | O-Min. mm | H-Hex. Width mm | Nominal Working Pressure psig |
|--------------|--------------------|----------------|---------|---------|----------|--------------|--------------------|--|
| IVPA-R2-N2 | 1/8 | 1/8 | 24.00 | 10.50 | 10.00 | 4.80 | 16.00 | 15K |
| IVPA-R2-N4 | 1/8 | 1/4 | 29.00 | 10.50 | 14.50 | 6.40 | 16.00 | 15K |
| IVPA-R2-N6 | 1/8 | 3/8 | 29.00 | 10.50 | 14.50 | 7.90 | 17.00 | 15K |
| IVPA-R2-N8 | 1/8 | 1/2 | 30.00 | 10.50 | 19.50 | 8.00 | 22.00 | 15K |
| IVPA-R2-N12 | 1/8 | 3/4 | 30.00 | 10.50 | 19.50 | 8.00 | 27.00 | 10K |
| IVPA-R4-N2 | 1/4 | 1/8 | 32.00 | 15.00 | 10.00 | 4.80 | 24.00 | 15K |
| IVPA-R4-N4 | 1/4 | 1/4 | 35.00 | 15.00 | 14.50 | 6.40 | 24.00 | 15K |
| IVPA-R4-N6 | 1/4 | 3/8 | 35.00 | 15.00 | 14.50 | 7.90 | 24.00 | 15K |
| IVPA-R4-N8 | 1/4 | 1/2 | 40.00 | 15.00 | 19.50 | 9.60 | 24.00 | 15K |
| IVPA-R4-N12 | 1/4 | 3/4 | 44.00 | 15.00 | 19.50 | 10.40 | 27.00 | 10K |
| IVPA-R4-N16 | 1/4 | 1 | 44.00 | 15.00 | 24.00 | 10.40 | 35.00 | 10K |
| IVPA-R6-N4 | 3/8 | 1/4 | 36.00 | 15.00 | 14.50 | 6.40 | 28.00 | 15K |
| IVPA-R6-N6 | 3/8 | 3/8 | 36.00 | 15.00 | 14.50 | 7.90 | 28.00 | 15K |
| IVPA-R6-N8 | 3/8 | 1/2 | 41.00 | 15.00 | 19.50 | 9.60 | 28.00 | 15K |
| IVPA-R6-N12 | 3/8 | 3/4 | 41.00 | 15.00 | 19.50 | 13.80 | 27.00 | 10K |
| IVPA-R6-N16 | 3/8 | 1 | 43.00 | 15.00 | 24.00 | 13.80 | 35.00 | 10K |
| IVPA-R8-N4 | 1/2 | 1/4 | 43.00 | 20.00 | 14.50 | 6.40 | 35.00 | 15K |
| IVPA-R8-N6 | 1/2 | 3/8 | 43.00 | 20.00 | 14.50 | 7.90 | 35.00 | 15K |
| IVPA-R8-N8 | 1/2 | 1/2 | 48.00 | 20.00 | 19.50 | 9.60 | 35.00 | 15K |
| IVPA-R8-N12 | 1/2 | 3/4 | 48.00 | 20.00 | 19.50 | 14.80 | 30.00 | 10K |
| IVPA-R8-N16 | 1/2 | 1 | 53.00 | 20.00 | 24.00 | 17.00 | 35.00 | 10K |
| IVPA-R12-N8 | 3/4 | 1/2 | 48.00 | 21.00 | 19.50 | 11.90 | 38.00 | 10K |
| IVPA-R12-N12 | 3/4 | 3/4 | 48.00 | 21.00 | 19.50 | 14.80 | 38.00 | 10K |
| IVPA-R12-N16 | 3/4 | 1 | 53.00 | 21.00 | 24.00 | 20.00 | 38.00 | 10K |
| IVPA-R16-N8 | 1 | 1/2 | 53.00 | 26.00 | 19.50 | 11.90 | 44.00 | 10K |
| IVPA-R16-N12 | 1 | 3/4 | 53.00 | 26.00 | 19.50 | 14.80 | 44.00 | 10K |
| IVPA-R16-N16 | 1 | 1 | 58.00 | 26.00 | 24.00 | 20.00 | 44.00 | 10K |

ADAPTERS IVPA-N-AN

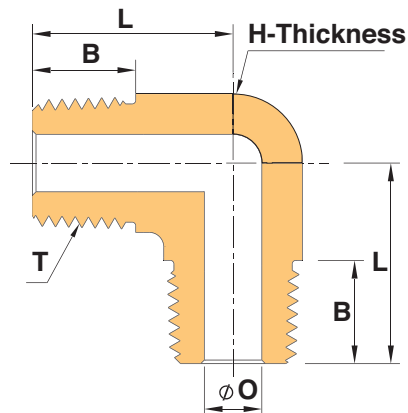


FEMALE NPT THREADS x MALE JIC

| Part Number | T-NPT Inch | T1-SAE/MS Inch | L mm | B mm | B1 mm | O-Min. mm | H-Hex. Width mm | Nominal Working Pressure psig |
|---------------|---------------|-------------------|---------|---------|----------|--------------|--------------------|--|
| IVPA-N2-AN4 | 1/8 | 7/16-20 | 28.00 | 10.50 | 14.00 | 4.40 | 16.00 | 15K |
| IVPA-N4-AN4 | 1/4 | 7/16-20 | 34.00 | 15.00 | 14.00 | 4.40 | 24.00 | 15K |
| IVPA-N4-AN6 | 1/4 | 9/16-18 | 34.00 | 15.00 | 14.10 | 5.80 | 24.00 | 15K |
| IVPA-N6-AN6 | 3/8 | 9/16-18 | 35.00 | 15.00 | 14.10 | 5.80 | 28.00 | 15K |
| IVPA-N6-AN8 | 3/8 | 3/4-16 | 38.00 | 15.00 | 17.00 | 8.0 | 28.00 | 15K |
| IVPA-N8-AN8 | 1/2 | 3/4-16 | 44.00 | 20.00 | 17.00 | 8.0 | 35.00 | 15K |
| IVPA-N8-AN12 | 1/2 | 1.1/16-12 | 49.00 | 20.00 | 22.00 | 11.60 | 35.00 | 15K |
| IVPA-N12-AN12 | 3/4 | 1.1/16-12 | 48.00 | 21.00 | 22.00 | 15.50 | 38.00 | 10K |
| IVPA-N16-AN16 | 1 | 1.5/16-12 | 55.00 | 25.50 | 23.00 | 21.40 | 45.00 | 10K |

Note: Other than above shown threads fittings are available up on request.

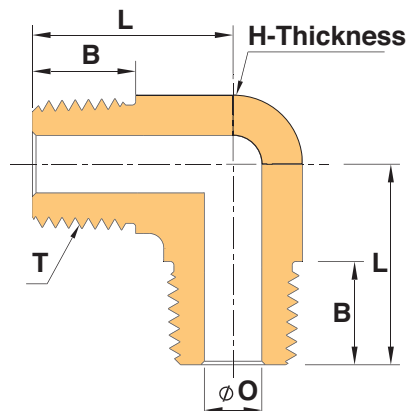
MALE ELBOWS IVPME-N



MALE NPT THREADS

| Part Number | T-NPT Inch | L mm | B mm | O-Min. mm | H-Hex. Width mm | Nominal Working Pressure psig |
|-------------|---------------|---------|---------|--------------|--------------------|-------------------------------------|
| IVPME-N2 | 1/8 | 19.00 | 9.70 | 4.80 | 13.00 | 15K |
| IVPME-N4 | 1/4 | 25.50 | 14.20 | 6.40 | 16.00 | 15K |
| IVPME-N6 | 3/8 | 28.00 | 14.20 | 7.90 | 19.00 | 15K |
| IVPME-N8 | 1/2 | 37.00 | 19.00 | 9.60 | 26.00 | 15K |
| IVPME-N12 | 3/4 | 40.00 | 19.00 | 14.80 | 35.00 | 10K |
| IVPME-N16 | 1 | 48.00 | 24.00 | 20.00 | 38.00 | 10K |

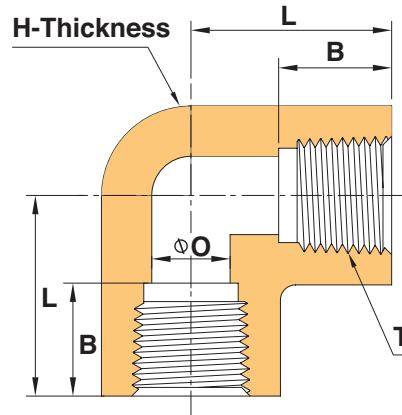
MALE ELBOWS IVPME-R



MALE ISO/BSPT THREADS

| Part Number | T-ISO/BSPT Inch | L mm | B mm | O-Min. mm | H-Hex. Width mm | Nominal Working Pressure psig |
|-------------|--------------------|---------|---------|--------------|--------------------|-------------------------------------|
| IVPME-R2 | 1/8 | 19.00 | 9.70 | 4.80 | 13.00 | 15K |
| IVPME-R4 | 1/4 | 25.50 | 14.20 | 6.40 | 16.00 | 15K |
| IVPME-R6 | 3/8 | 28.00 | 14.20 | 7.90 | 19.00 | 15K |
| IVPME-R8 | 1/2 | 37.00 | 19.00 | 9.60 | 26.00 | 15K |
| IVPME-R12 | 3/4 | 40.00 | 19.00 | 14.80 | 35.00 | 10K |
| IVPME-R16 | 1 | 48.00 | 24.00 | 20.00 | 38.00 | 10K |

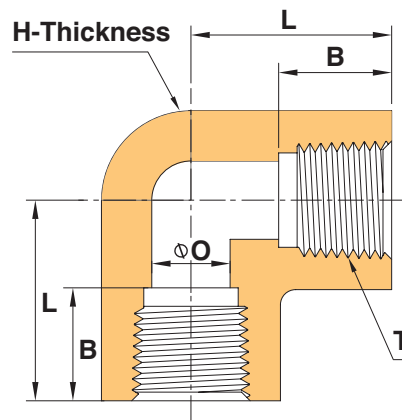
FEMALE ELBOWS IVPFE-N



FEMALE NPT THREADS

| Part Number | T-NPT Inch | L mm | B mm | O-Min. mm | H-Hex. Width mm | Nominal Working Pressure psig |
|-------------|---------------|---------|---------|--------------|--------------------|-------------------------------------|
| IVPFE-N2 | 1/8 | 19.00 | 11.00 | 8.00 | 16.00 | 15K |
| IVPFE-N4 | 1/4 | 25.50 | 15.00 | 10.40 | 19.00 | 15K |
| IVPFE-N6 | 3/8 | 31.00 | 15.00 | 13.80 | 25.00 | 15K |
| IVPFE-N8 | 1/2 | 38.00 | 20.00 | 16.90 | 35.00 | 15K |
| IVPFE-N12 | 3/4 | 38.00 | 20.00 | 22.50 | 38.00 | 10K |
| IVPFE-N16 | 1 | 48.00 | 25.00 | 28.00 | 44.00 | 10K |

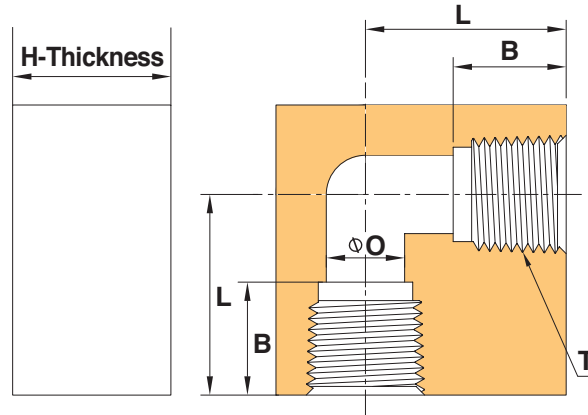
FEMALE ELBOWS IVPFE-R



FEMALE ISO/BSPT THREADS

| Part Number | T-ISO/BSPT Inch | L mm | B mm | O-Min. mm | H-Hex. Width mm | Nominal Working Pressure psig |
|-------------|--------------------|---------|---------|--------------|--------------------|-------------------------------------|
| IVPFE-R2 | 1/8 | 19.00 | 11.00 | 8.00 | 16.00 | 15K |
| IVPFE-R4 | 1/4 | 25.50 | 15.00 | 10.40 | 19.00 | 15K |
| IVPFE-R6 | 3/8 | 31.00 | 15.00 | 13.80 | 25.00 | 15K |
| IVPFE-R8 | 1/2 | 38.00 | 20.00 | 16.90 | 35.00 | 15K |
| IVPFE-R12 | 3/4 | 38.00 | 20.00 | 22.50 | 38.00 | 10K |
| IVPFE-R16 | 1 | 48.00 | 25.00 | 28.00 | 44.00 | 10K |

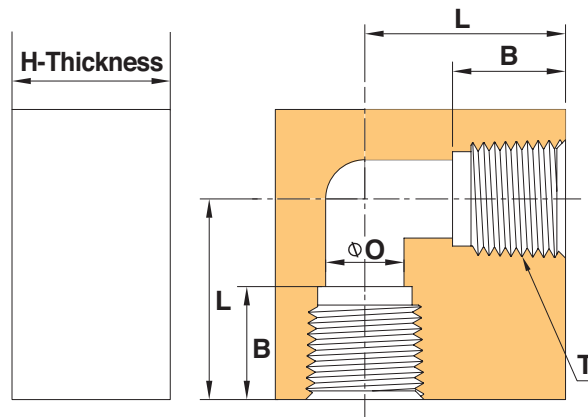
FEMALE BLOCK ELBOWS IVPFBE-N



FEMALE NPT THREADS

| Part Number | T-NPT Inch | L mm | B mm | O-Min. mm | H-Block Width mm | Nominal Working Pressure psig |
|-------------|---------------|---------|---------|--------------|---------------------|-------------------------------------|
| IVPFBE-N2 | 1/8 | 19.00 | 11.00 | 8.00 | 25.00 | 10K |
| IVPFBE-N4 | 1/4 | 25.50 | 15.00 | 10.40 | 32.00 | 10K |
| IVPFBE-N6 | 3/8 | 31.00 | 15.00 | 13.80 | 32.00 | 10K |
| IVPFBE-N8 | 1/2 | 38.00 | 20.00 | 16.90 | 36.00 | 10K |
| IVPFBE-N12 | 3/4 | 38.00 | 20.00 | 22.50 | 50.00 | 10K |
| IVPFBE-N16 | 1 | 48.00 | 25.00 | 28.00 | 65.00 | 10K |

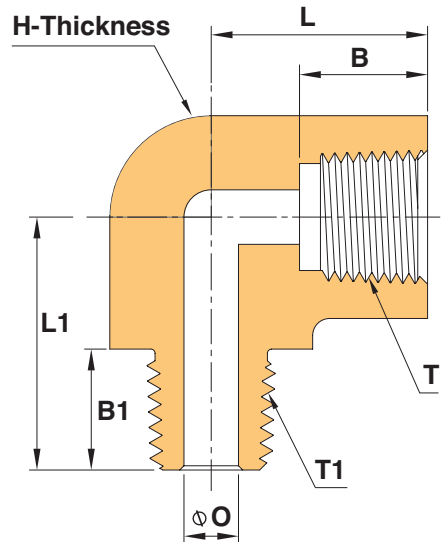
FEMALE BLOCK ELBOWS IVPFBE-R



FEMALE ISO/BSPT THREADS

| Part Number | T-ISO/BSPT Inch | L mm | B mm | O-Min. mm | H-Block Width mm | Nominal Working Pressure psig |
|-------------|--------------------|---------|---------|--------------|---------------------|-------------------------------------|
| IVPFBE-R2 | 1/8 | 19.00 | 11.00 | 8.00 | 25.00 | 10K |
| IVPFBE-R4 | 1/4 | 25.50 | 15.00 | 10.40 | 32.00 | 10K |
| IVPFBE-R6 | 3/8 | 31.00 | 15.00 | 13.80 | 32.00 | 10K |
| IVPFBE-R8 | 1/2 | 38.00 | 20.00 | 16.90 | 36.00 | 10K |
| IVPFBE-R12 | 3/4 | 38.00 | 20.00 | 22.50 | 50.00 | 10K |
| IVPFBE-R16 | 1 | 48.00 | 25.00 | 28.00 | 65.00 | 10K |

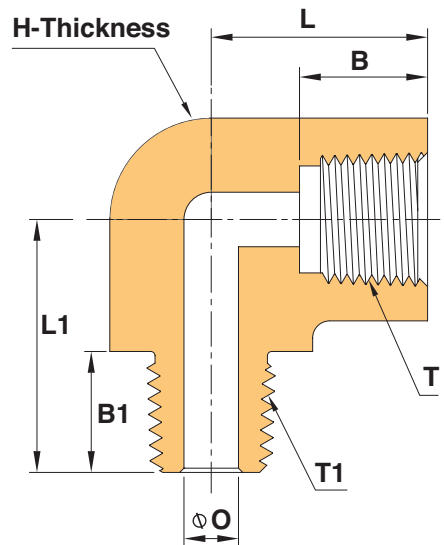
STREET ELBOWS IVPSE-N



FEMALE NPT x MALE NPT THREADS

| Part Number | T-NPT inch | T1-NPT inch | L mm | L1 mm | B mm | B1 mm | O-min. mm | H-Hex width mm | Nominal Working Pressure psig |
|--------------|---------------|----------------|---------|----------|---------|----------|--------------|----------------------|--|
| IVPSE-N2-2 | 1/8 | 1/8 | 19.00 | 19.00 | 10.40 | 9.70 | 5.00 | 16.00 | 15K |
| IVPSE-N2-4 | 1/8 | 1/4 | 20.00 | 26.00 | 10.40 | 14.20 | 6.50 | 16.00 | 15K |
| IVPSE-N2-6 | 1/8 | 3/8 | 24.00 | 27.00 | 10.40 | 14.20 | 8.00 | 19.00 | 15K |
| IVPSE-N4-4 | 1/4 | 1/4 | 25.00 | 27.00 | 15.00 | 14.20 | 6.50 | 19.00 | 15K |
| IVPSE-N4-6 | 1/4 | 3/8 | 25.00 | 27.00 | 15.00 | 14.20 | 8.00 | 19.00 | 15K |
| IVPSE-N4-8 | 1/4 | 1/2 | 30.00 | 36.00 | 15.00 | 19.10 | 9.60 | 26.00 | 15K |
| IVPSE-N6-6 | 3/8 | 3/8 | 30.00 | 30.00 | 15.00 | 14.20 | 8.00 | 26.00 | 15K |
| IVPSE-N6-8 | 3/8 | 1/2 | 30.00 | 36.00 | 15.00 | 19.10 | 9.60 | 26.00 | 15K |
| IVPSE-N6-12 | 3/8 | 3/4 | 32.00 | 40.00 | 15.00 | 19.10 | 14.00 | 35.00 | 10K |
| IVPSE-N8-8 | 1/2 | 1/2 | 38.00 | 41.00 | 19.80 | 19.10 | 9.60 | 35.00 | 15K |
| IVPSE-N8-12 | 1/2 | 3/4 | 36.00 | 41.00 | 19.80 | 19.10 | 14.80 | 35.00 | 10K |
| IVPSE-N8-16 | 1/2 | 1 | 38.00 | 47.50 | 19.80 | 23.90 | 17.00 | 35.00 | 10K |
| IVPSE-N12-12 | 3/4 | 3/4 | 38.00 | 45.00 | 20.60 | 19.10 | 14.80 | 38.00 | 10K |
| IVPSE-N12-16 | 3/4 | 1 | 42.00 | 47.50 | 20.60 | 23.90 | 20.00 | 38.00 | 10K |
| IVPSE-N16-16 | 1 | 1 | 48.00 | 53.00 | 25.40 | 23.90 | 20.00 | 46.00 | 10K |

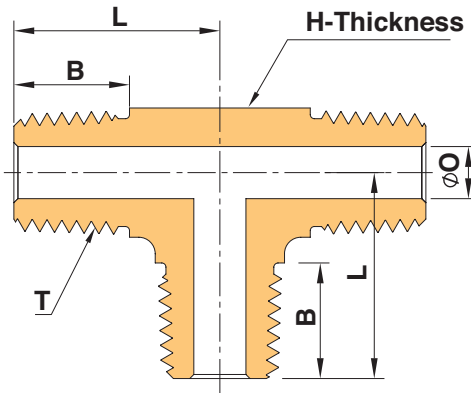
STREET ELBOWS IVPSE-R



FEMALE ISO/BSPT x MALE ISO/BSPT THREADS

| Part Number | T-ISO/ BSPT Inch | T1-ISO/ BSPT Inch | L mm | L1 mm | B mm | B1 mm | O-Min. mm | H-Hex. Width mm | Nominal Working Pressure psig |
|--------------|------------------------|-------------------------|---------|----------|---------|----------|--------------|-----------------------|--|
| IVPSE-R2-2 | 1/8 | 1/8 | 19.00 | 19.00 | 10.40 | 9.70 | 5.00 | 16.00 | 15K |
| IVPSE-R2-4 | 1/8 | 1/4 | 20.00 | 26.00 | 10.40 | 14.20 | 6.50 | 16.00 | 15K |
| IVPSE-R2-6 | 1/8 | 3/8 | 24.00 | 27.00 | 10.40 | 14.20 | 8.00 | 19.00 | 15K |
| IVPSE-R4-4 | 1/4 | 1/4 | 25.00 | 27.00 | 15.00 | 14.20 | 6.50 | 19.00 | 15K |
| IVPSE-R4-6 | 1/4 | 3/8 | 25.00 | 27.00 | 15.00 | 14.20 | 8.00 | 19.00 | 15K |
| IVPSE-R4-8 | 1/4 | 1/2 | 30.00 | 36.00 | 15.00 | 19.10 | 9.60 | 26.00 | 15K |
| IVPSE-R6-6 | 3/8 | 3/8 | 30.00 | 30.00 | 15.00 | 14.20 | 8.00 | 26.00 | 15K |
| IVPSE-R6-8 | 3/8 | 1/2 | 30.00 | 36.00 | 15.00 | 19.10 | 9.60 | 26.00 | 15K |
| IVPSE-R6-12 | 3/8 | 3/4 | 32.00 | 40.00 | 15.00 | 19.10 | 14.00 | 35.00 | 10K |
| IVPSE-R8-8 | 1/2 | 1/2 | 38.00 | 41.00 | 19.80 | 19.10 | 9.60 | 35.00 | 15K |
| IVPSE-R8-12 | 1/2 | 3/4 | 36.00 | 41.00 | 19.80 | 19.10 | 14.80 | 35.00 | 10K |
| IVPSE-R8-16 | 1/2 | 1 | 38.00 | 47.50 | 19.80 | 23.90 | 17.00 | 35.00 | 10K |
| IVPSE-R12-12 | 3/4 | 3/4 | 38.00 | 45.00 | 20.60 | 19.10 | 14.80 | 38.00 | 10K |
| IVPSE-R12-16 | 3/4 | 1 | 42.00 | 47.50 | 20.60 | 23.90 | 20.00 | 38.00 | 10K |
| IVPSE-R16-16 | 1 | 1 | 48.00 | 53.00 | 25.40 | 23.90 | 20.00 | 46.00 | 10K |

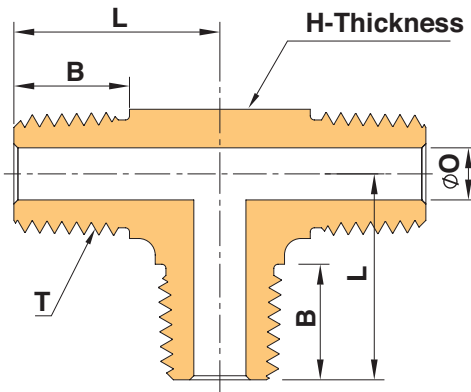
MALE TEES IVPMT-N



MALE NPT THREADS

| Part Number | T-NPT Inch | L mm | B mm | O-Min. mm | H-Hex. Width mm | Nominal Working Pressure psig |
|-------------|---------------|---------|---------|--------------|--------------------|-------------------------------------|
| IVPMT-N2 | 1/8 | 19.00 | 9.700 | 4.80 | 13.00 | 15k |
| IVPMT-N4 | 1/4 | 26.00 | 14.20 | 6.50 | 16.00 | 15k |
| IVPMT-N6 | 3/8 | 28.00 | 14.20 | 7.90 | 19.00 | 15k |
| IVPMT-N8 | 1/2 | 37.00 | 19.10 | 9.50 | 26.00 | 15k |
| IVPMT-N12 | 3/4 | 40.00 | 19.10 | 14.00 | 35.00 | 10k |
| IVPMT-N16 | 1 | 48.00 | 23.90 | 20.00 | 38.00 | 10k |

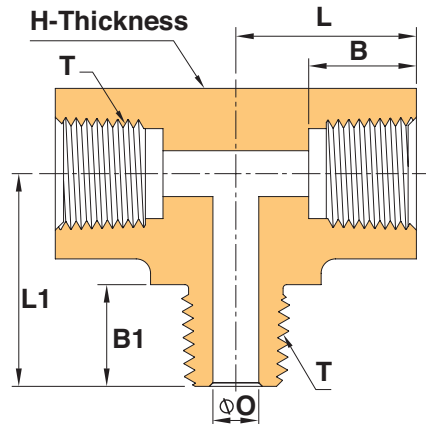
MALE TEES IVPMT-R



MALE NPT THREADS

| Part Number | T-ISO/BSPT Inch | L mm | B mm | O-Min. mm | H-Hex. Width mm | Nominal Working Pressure psig |
|-------------|--------------------|---------|---------|--------------|--------------------|-------------------------------------|
| IVPMT-R2 | 1/8 | 19.00 | 9.700 | 4.80 | 13.00 | 15k |
| IVPMT-R4 | 1/4 | 26.00 | 14.20 | 6.50 | 16.00 | 15k |
| IVPMT-R6 | 3/8 | 28.00 | 14.20 | 7.90 | 19.00 | 15k |
| IVPMT-R8 | 1/2 | 37.00 | 19.10 | 9.50 | 26.00 | 15k |
| IVPMT-R12 | 3/4 | 40.00 | 19.10 | 14.00 | 35.00 | 10k |
| IVPMT-R16 | 1 | 48.00 | 23.90 | 20.00 | 38.00 | 10k |

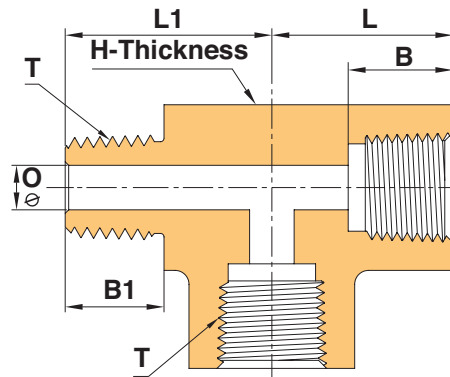
MALE BRANCH TEES IVPMBT-R



ISO/BSPT THREADS

| Part Number | T-ISO/BSPT Inch | L mm | L1 mm | B mm | B1 mm | O-Min. mm | H-Hex. Width mm | Nominal Working Pressure psig |
|-------------|--------------------|---------|----------|---------|----------|--------------|--------------------|-------------------------------------|
| IVPMBT-R2 | 1/8 | 19.00 | 19.00 | 10.40 | 9.70 | 4.50 | 16.00 | 15K |
| IVPMBT-R4 | 1/4 | 26.00 | 27.00 | 15.00 | 14.20 | 6.50 | 19.00 | 15K |
| IVPMBT-R6 | 3/8 | 31.00 | 31.00 | 15.00 | 14.20 | 7.90 | 26.00 | 15K |
| IVPMBT-R8 | 1/2 | 38.00 | 41.00 | 19.80 | 19.10 | 9.50 | 35.00 | 15K |
| IVPMBT-R12 | 3/4 | 38.00 | 45.00 | 20.60 | 19.10 | 14.50 | 38.00 | 10K |
| IVPMBT-R16 | 1 | 49.00 | 53.00 | 25.40 | 23.90 | 20.00 | 45.00 | 10K |

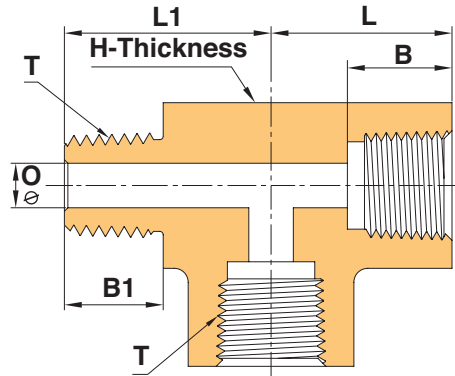
MALE STREET TEES IVPMST-N



NPT THREADS

| Part Number | T-NPT Inch | L mm | L1 mm | B mm | B1 mm | O-Min. mm | H-Hex. Width mm | Nominal Working Pressure psig |
|-------------|---------------|---------|----------|---------|----------|--------------|--------------------|-------------------------------------|
| IVPMST-N2 | 1/8 | 19.00 | 19.00 | 10.40 | 9.70 | 4.50 | 16.00 | 15K |
| IVPMST-N4 | 1/4 | 26.00 | 27.00 | 15.00 | 14.20 | 6.50 | 19.00 | 15K |
| IVPMST-N6 | 3/8 | 31.00 | 31.00 | 15.00 | 14.20 | 7.90 | 26.00 | 15K |
| IVPMST-N8 | 1/2 | 38.00 | 41.00 | 19.80 | 19.10 | 9.50 | 35.00 | 15K |
| IVPMST-N12 | 3/4 | 38.00 | 45.00 | 20.60 | 19.10 | 14.50 | 38.00 | 10K |
| IVPMST-N16 | 1 | 49.00 | 53.00 | 25.40 | 23.90 | 20.00 | 45.00 | 10K |

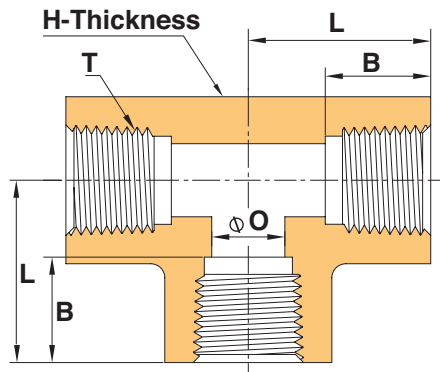
MALE STREET TEES IVPMST-R



ISO/BSPT THREADS

| Part Number | T-ISO/BSPT Inch | L mm | L1 mm | B mm | B1 mm | O-Min. mm | H-Hex. Width mm | Nominal Working Pressure psig |
|-------------|--------------------|---------|----------|---------|----------|--------------|--------------------|-------------------------------------|
| IVPMST-R2 | 1/8 | 19.00 | 19.00 | 10.40 | 9.70 | 4.50 | 16.00 | 15K |
| IVPMST-R4 | 1/4 | 26.00 | 27.00 | 15.00 | 14.20 | 6.50 | 19.00 | 15K |
| IVPMST-R6 | 3/8 | 31.00 | 31.00 | 15.00 | 14.20 | 7.90 | 26.00 | 15K |
| IVPMST-R8 | 1/2 | 38.00 | 41.00 | 19.80 | 19.10 | 9.50 | 35.00 | 15K |
| IVPMST-R12 | 3/4 | 38.00 | 45.00 | 20.60 | 19.10 | 14.50 | 38.00 | 10K |
| IVPMST-R16 | 1 | 49.00 | 53.00 | 25.40 | 23.90 | 20.00 | 45.00 | 10K |

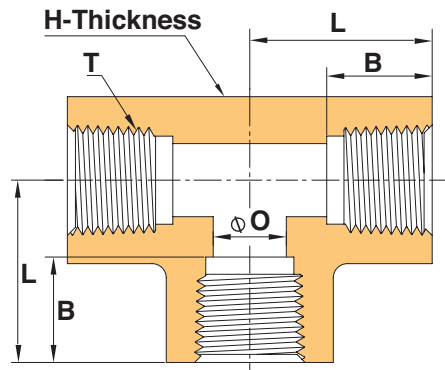
FEMALE TEES IVPFT-N



FEMALE NPT THREADS

| Part Number | T-NPT Inch | L mm | B mm | O-Min. mm | H-Hex. Width mm | Nominal Working Pressure psig |
|-------------|---------------|---------|---------|--------------|--------------------|-------------------------------------|
| IVPFT-N2 | 1/8 | 19.00 | 10.40 | 8.00 | 16.00 | 15k |
| IVPFT-N4 | 1/4 | 26.00 | 15.00 | 10.00 | 19.00 | 15k |
| IVPFT-N6 | 3/8 | 31.00 | 15.00 | 13.50 | 26.00 | 15k |
| IVPFT-N8 | 1/2 | 39.00 | 19.80 | 17.00 | 35.00 | 15k |
| IVPFT-N12 | 3/4 | 39.00 | 20.60 | 22.00 | 38.00 | 10k |
| IVPFT-N16 | 1 | 49.00 | 25.40 | 28.00 | 45.00 | 10k |

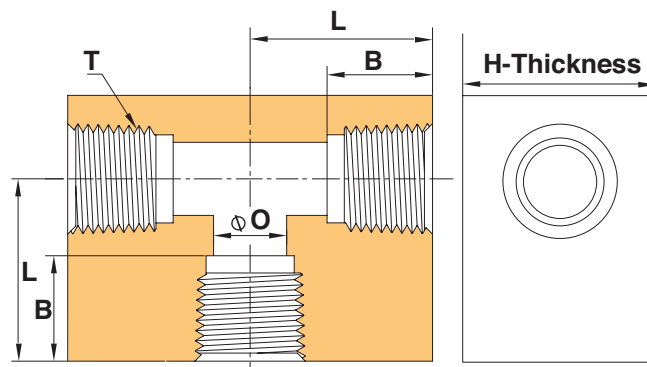
FEMALE TEES IVPFT-R



FEMALE ISO/BSPT THREADS

| Part Number | T-ISO/BSPT Inch | L mm | B mm | O-Min. mm | H-Hex. Width mm | Nominal Working Pressure psig |
|-------------|--------------------|---------|---------|--------------|--------------------|-------------------------------------|
| IVPFT-R2 | 1/8 | 19.00 | 10.40 | 8.00 | 16.00 | 15k |
| IVPFT-R4 | 1/4 | 26.00 | 15.00 | 10.00 | 19.00 | 15k |
| IVPFT-R6 | 3/8 | 31.00 | 15.00 | 13.50 | 26.00 | 15k |
| IVPFT-R8 | 1/2 | 39.00 | 19.80 | 17.00 | 35.00 | 15k |
| IVPFT-R12 | 3/4 | 39.00 | 20.60 | 22.00 | 38.00 | 10k |
| IVPFT-R16 | 1 | 49.00 | 25.40 | 28.00 | 45.00 | 10k |

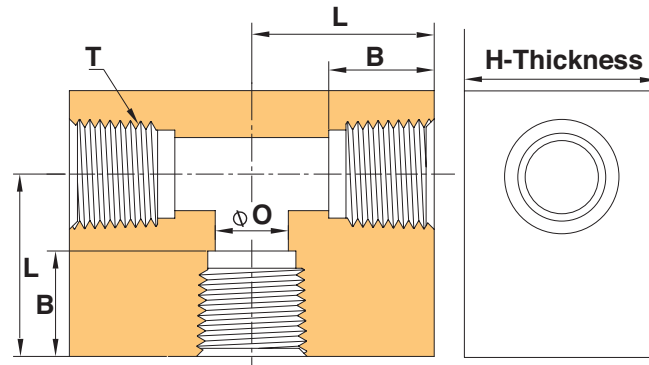
FEMALE BLOCK TEES IVPFBT-N



FEMALE NPT THREADS

| Part Number | T-NPT Inch | L mm | B mm | O-Min. mm | H-Block Width mm | Nominal Working Pressure psig |
|-------------|---------------|---------|---------|--------------|---------------------|-------------------------------------|
| IVPFBT-N2 | 1/8 | 19.00 | 10.40 | 8.00 | 25.00 | 15k |
| IVPFBT-N4 | 1/4 | 26.00 | 15.00 | 10.00 | 32.00 | 15k |
| IVPFBT-N6 | 3/8 | 31.00 | 15.00 | 13.50 | 32.00 | 15k |
| IVPFBT-N8 | 1/2 | 39.00 | 19.80 | 17.00 | 36.00 | 15k |
| IVPFBT-N12 | 3/4 | 39.00 | 20.60 | 22.00 | 50.00 | 10k |
| IVPFBT-N16 | 1 | 49.00 | 25.40 | 28.00 | 65.00 | 10k |

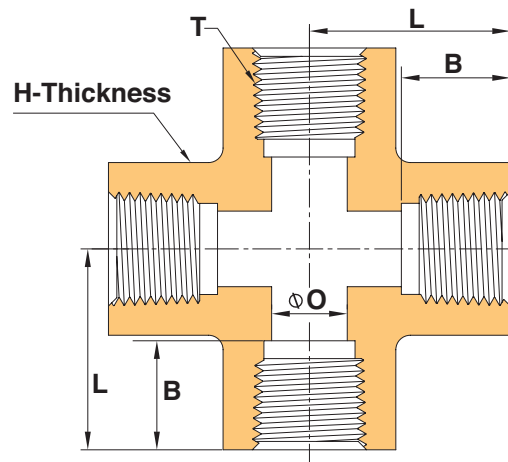
FEMALE BLOCK TEES IVPFBT-R



FEMALE ISO/BSPT THREADS

| Part Number | T-ISO/BSPT Inch | L mm | B mm | O-Min. mm | H-Hex. Width mm | Nominal Working Pressure psig |
|-------------|--------------------|---------|---------|--------------|--------------------|-------------------------------------|
| IVPFBT-R2 | 1/8 | 19.00 | 10.40 | 8.00 | 25.00 | 15k |
| IVPFBT-R4 | 1/4 | 26.00 | 15.00 | 10.00 | 32.00 | 15k |
| IVPFBT-R6 | 3/8 | 31.00 | 15.00 | 13.50 | 32.00 | 15k |
| IVPFBT-R8 | 1/2 | 39.00 | 19.80 | 17.00 | 36.00 | 15k |
| IVPFBT-R12 | 3/4 | 39.00 | 20.60 | 22.00 | 50.00 | 10k |
| IVPFBT-R16 | 1 | 49.00 | 25.40 | 28.00 | 65.00 | 10k |

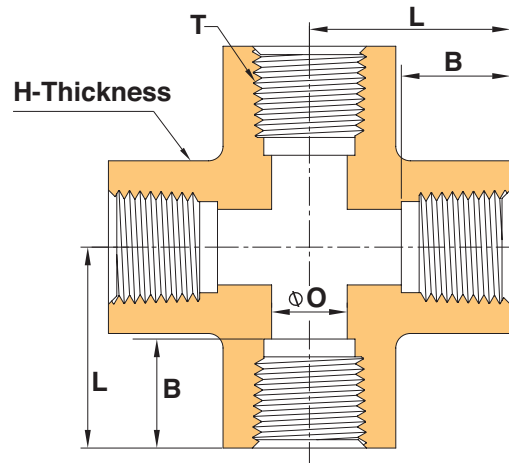
FEMALE CROSSES IVPFC-N



FEMALE NPT THREADS

| Part Number | T-NPT Inch | L mm | B mm | O-Min. mm | H-Hex. Width mm | Nominal Working Pressure psig |
|-------------|---------------|---------|---------|--------------|--------------------|-------------------------------------|
| IVPFC-N2 | 1/8 | 19.00 | 10.40 | 8.00 | 16.00 | 15k |
| IVPFC-N4 | 1/4 | 26.00 | 15.00 | 10.00 | 19.00 | 15k |
| IVPFC-N6 | 3/8 | 31.00 | 15.00 | 13.50 | 26.00 | 15k |
| IVPFC-N8 | 1/2 | 39.00 | 19.80 | 17.00 | 35.00 | 15k |
| IVPFC-N12 | 3/4 | 39.00 | 20.60 | 22.00 | 38.00 | 10k |
| IVPFC-N16 | 1 | 49.00 | 25.40 | 28.00 | 45.00 | 10k |

FEMALE CROSSES IVPFC-R



FEMALE ISO/BSPT THREADS

| Part Number | T-ISO/BSPT Inch | L mm | B mm | O-Min. mm | H-Hex. Width mm | Nominal Working Pressure psig |
|-------------|--------------------|---------|---------|--------------|--------------------|-------------------------------------|
| IVPFC-R2 | 1/8 | 19.00 | 10.40 | 8.00 | 16.00 | 15k |
| IVPFC-R4 | 1/4 | 26.00 | 15.00 | 10.00 | 19.00 | 15k |
| IVPFC-R6 | 3/8 | 31.00 | 15.00 | 13.50 | 26.00 | 15k |
| IVPFC-R8 | 1/2 | 39.00 | 19.80 | 17.00 | 35.00 | 15k |
| IVPFC-R12 | 3/4 | 39.00 | 20.60 | 22.00 | 38.00 | 10k |
| IVPFC-R16 | 1 | 49.00 | 25.40 | 28.00 | 45.00 | 10k |



IDEAL

VALVES AND FITTINGS COMPANY

Manufactured by:

IDEAL Valves & Fittings Co.,
Balaji Industrial Park
Gala No.C/18, Tondre Behind Hindalco Co., MIDC,
Taloja , Panavel, Raigad District,
Maharashtra, India

mail to : idealvalves@gmail.com

Distributed by:

Good Fortune
Building Materials Trading L.L.C
Mohammed Abdul Rahim Building,
Shop No: 2, Al Nakheel Road, Deira
Dubai, United Arab Emirates

